

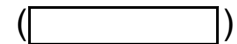


PARTS CATALOGUE

YFM09RYXH (BD34) U.S.A.



1SBD3-110E1



YFM09RYXH
PARTS CATALOGUE
©2016 by Yamaha Motor Co., Ltd.
1st edition, April 2016
All rights reserved.
Any reprinting or unauthorized use
without the written permission of
Yamaha Motor Co., Ltd.
is expressly prohibited.
Printed in Japan.

FOREWORD

This Parts Catalogue is related to the parts for the model(s) on the cover page. When you are ordering replacement parts, please refer to this Parts Catalogue and quote both part numbers and part names correctly.

1. Modifications or additions which have been made after the issue of the Parts Catalogue will be announced in the Parts News.
It is advisable that you make the necessary corrections to the Parts Catalogue according to the Parts News.

2. Abbreviations

The following abbreviations are used in this Parts Catalogue.

“UR” Use specified parts number.

“UN” Use as many as needed.

“AP” Alternate Parts

“LM” Locally Made (Parts need to be ordered locally)

“F#” Frame No. (Applicable machine No.)

“O/S” Over Size

3. The number of components for assembly

- Parts, which are to be supplied in an assembly, are listed with a dot (.) in front of the part name as shown below.
- The numeral appearing to the right of each component part indicates the quantity of parts for each assembly unit.

PART NO.	DESCRIPTION	Q'TY	REMARKS
2F5-83310-60	FRONT FLASHER LIGHT ASSY	2	
115-83311-60	.BULB (6V-18W)	1	

4. Applicable colours of graphics are represented in the “REMARKS” as shown below.

PART NO.	DESCRIPTION	Q'TY	REMARKS
2N4-24110-00-X5	FUEL TANK COMP.	2	MXR
3J1-24240-10	.GRAPHIC, FUEL TANK	1	FOR MXR

5. Note that the illustrations for reference in finding parts numbers are not to be used for assembling. When assembling, please use the applicable service manual.

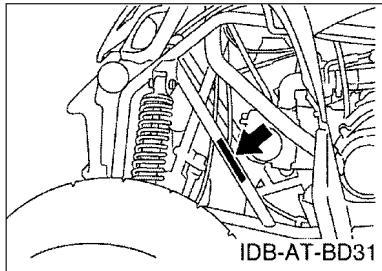
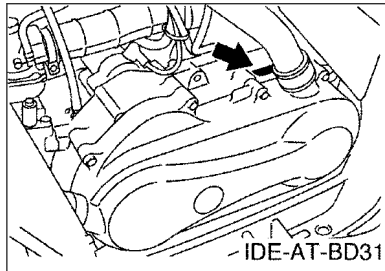
6. The asterisk (*) before a reference number indicates modified items after the first edition.

FOREWORD

7. Applicable Serial No.

Engine Serial No.

Frame Serial No.



8. Applicable Colour Code (The (*) mark shows Model colour.)

Abbreviation	Colour Name	Colour Code
BWS1(*)	BLUISH WHITE SOLID 1	0892
DPBSE(*)	DEEP PURPLISH BLUE SOLID E	0583

9. Quantity Column Information

Column No.	Name Of Q'ty Column	Destination
1	USA	U.S.A.

CONTENTS

ENGINE

CYLINDER HEAD.....	1
CYLINDER.....	2
CRANKSHAFT & PISTON.....	3
VALVE.....	4
CAMSHAFT & CHAIN.....	5
OIL PUMP.....	6
INTAKE.....	7
CARBURETOR.....	9
EXHAUST.....	10
CRANKCASE.....	11
CRANKCASE COVER 1.....	13
STARTER.....	14
CLUTCH.....	15
TRANSMISSION.....	16
SHIFT CAM & FORK.....	18
SHIFT SHAFT.....	19

CHASSIS

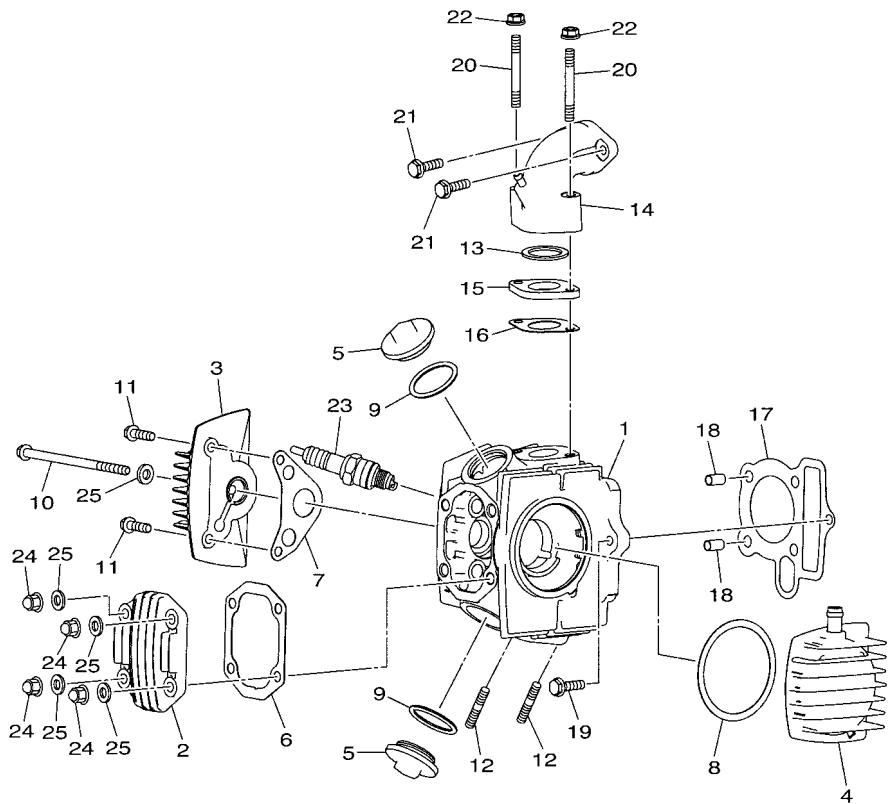
FRAME.....	20
FRONT FENDER.....	21
REAR FENDER.....	22
REAR ARM.....	23
STEERING.....	24
FRONT SUSPENSION & WHEEL.....	26
FUEL TANK.....	27
SEAT.....	28
FRONT WHEEL.....	29
REAR AXLE & WHEEL.....	30
FRONT BRAKE.....	31
REAR BRAKE.....	32
STEERING HANDLE & CABLE.....	33
STAND & FOOTREST.....	35
GUARD.....	36
GENERATOR.....	37
STARTING MOTOR.....	38
HEADLIGHT.....	39
ELECTRICAL 1.....	40
ELECTRICAL 2.....	41
GRAPHICS.....	42

EMBLEM & LABEL 1.....	43
-----------------------	----

INDEX

NUMERICAL INDEX.....	44
----------------------	----

FIG. 1 CYLINDER HEAD



REF. NO.	PART NO.	DESCRIPTION	USA				REMARKS
1	BD3-E1103-00	CYLINDER HEAD ASSY 2	1				
2	BD3-E1192-00	COVER, CYLINDER HEAD 2	1				
3	BD3-E112E-00	COVER, CYLINDER HEAD 3	1				
4	BD3-E1190-10	COVER, CYLINDER HEAD 1	1				
5	BD3-E1186-00	COVER, CYLINDER HEAD SIDE 2	2				
6	BD3-E1193-00	GASKET, HEAD COVER 1	1				
7	BD3-E1194-00	GASKET, HEAD COVER 2	1				
8	BD3-E1169-00	GASKET, BREATHER COVER	1				
9	BD3-E119B-00	O-RING	2				
10	BD3-E2615-10	BOLT	1				
11	BD3-E2623-10	BOLT	2				
12	BD3-E1179-10	BOLT, STUD	2				
13	BD3-E119A-00	O-RING	1				
14	BD3-E3586-00	JOINT, CARBURETOR 1	1				
15	BD3-E4271-00	INSULATOR	1				
16	BD3-E3556-00	GASKET, MANIFOLD	1				
17	BD3-E1181-00	GASKET, CYLINDER HEAD 1	1				
18	BD3-E3516-00	PIN, DOWEL	2				
19	BD3-E2157-10	BOLT	1				
20	BD3-E1391-10	BOLT, STUD 1	2				
21	BD3-E2157-10	BOLT	2				
22	BD3-F1494-10	NUT	2				
23	94701-00372	PLUG SPARK (NGK CR6HSA)	1				
24	BD3-E4439-10	NUT	4				
25	BD3-E3318-00	WASHER	5				



BD31110-R010

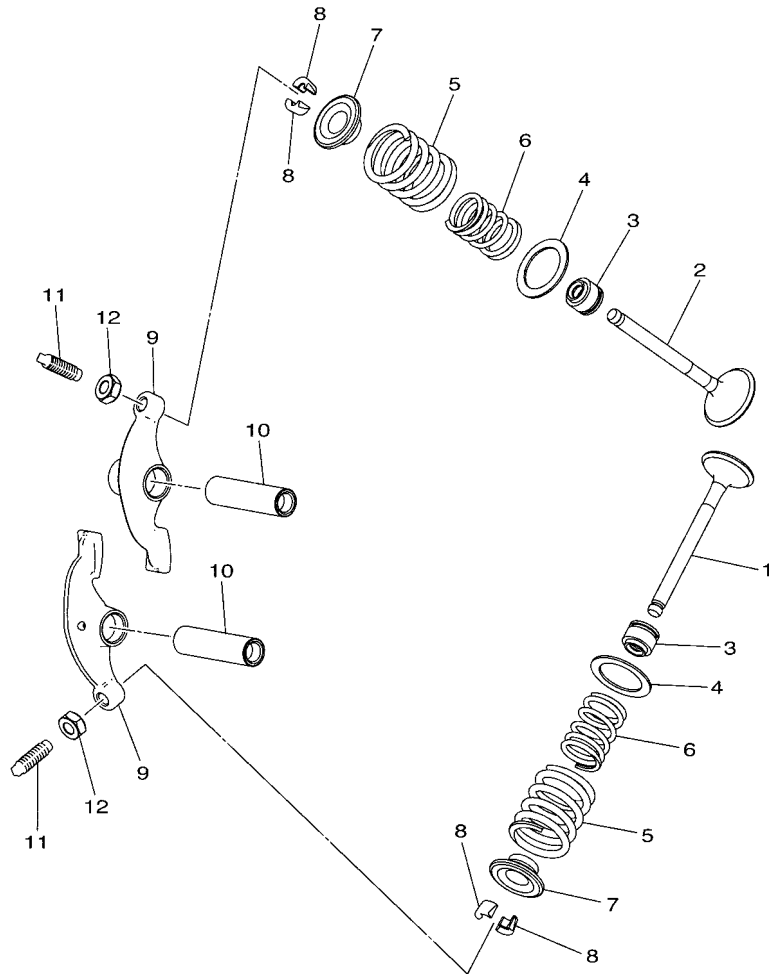


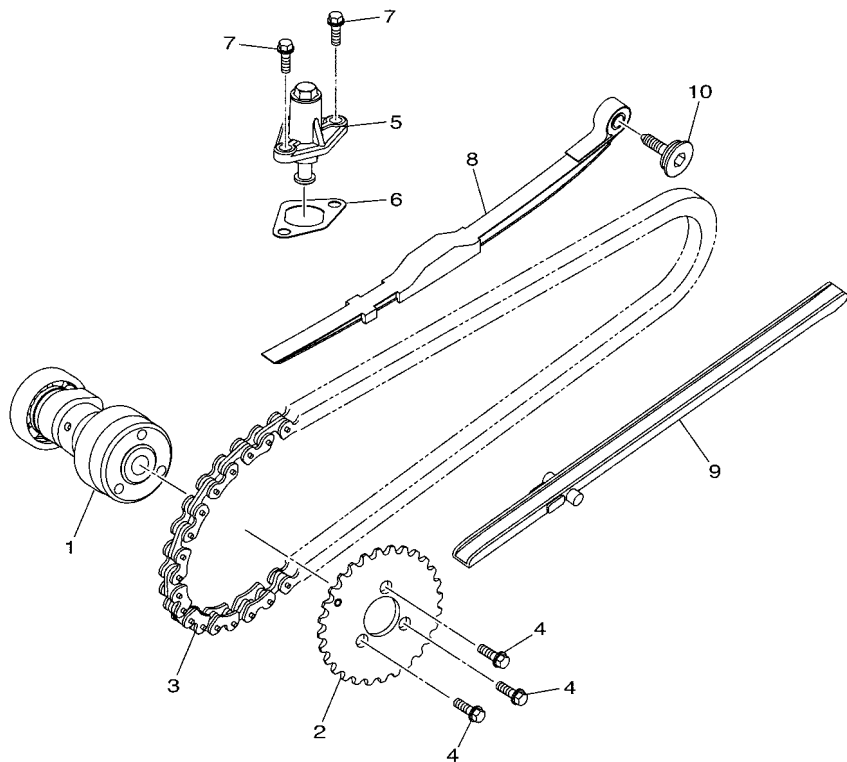
FIG. 4 VALVE

REF. NO.	PART NO.	DESCRIPTION	USA				REMARKS
1	BD3-E2121-00	VALVE, EXHAUST	1				
2	BD3-E2111-00	VALVE, INTAKE	1				
3	BD3-E2119-00	SEAL, VALVE STEM	2				
4	BD3-E2116-00	SEAT, VALVE SPRING	2				
5	BD3-E2113-00	SPRING, VALVE 1	2				
6	BD3-E2114-00	SPRING, VALVE 2	2				
7	BD3-E2117-00	RETAINER, VALVE SPRING	2				
8	BD3-E2118-00	LOCK, VALVE SPRING RETAINER	4				
9	BD3-E2151-00	ARM, VALVE ROCKER	2				
10	BD3-E2146-00	SHAFT, ROCKER	2				
11	BD3-E2159-00	SCREW, VALVE ADJUSTING	2				
12	BD3-E2158-00	NUT, LOCK	2				



BD31110-R040

FIG. 5 CAMSHAFT & CHAIN



REF. NO.	PART NO.	DESCRIPTION	USA				REMARKS
1	BD3-E2170-00	CAMSHAFT ASSY 1	1				
2	BD3-E2176-00	SPROCKET, CAM CHAIN	1				
3	BD3-E2190-00	CHAIN ASSY	1				
4	BD3-E1458-10	BOLT	3				
5	BD3-E2210-00	TENSIONER ASSY, CAM CHAIN	1				
6	BD3-E2213-00	GASKET, TENSIONER CASE	1				
7	BD3-E3573-10	BOLT 1	2				
8	BD3-E2241-00	GUIDE, STOPPER 2	1				
9	BD3-E2231-00	GUIDE, STOPPER 1	1				
10	BD3-E22A1-10	BOLT 2	1				



BD31110-R050

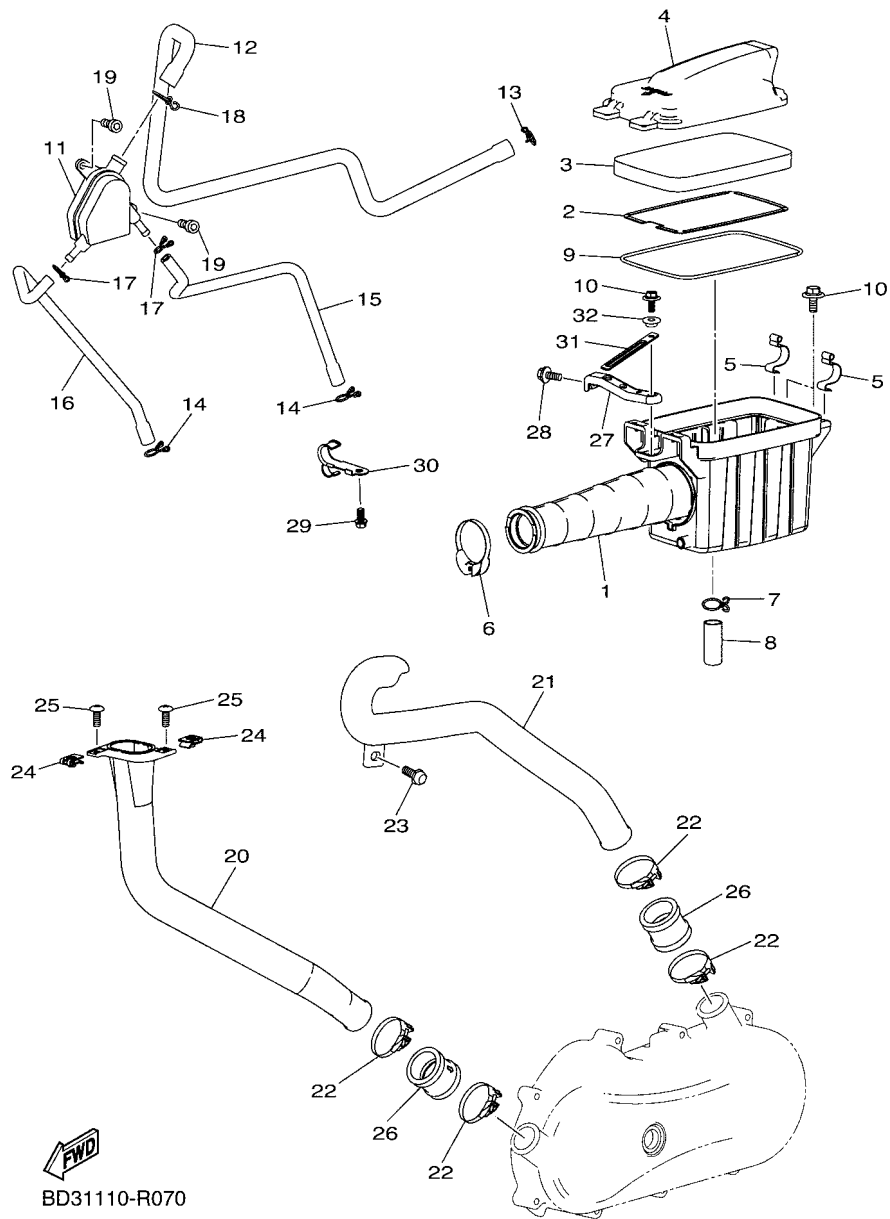
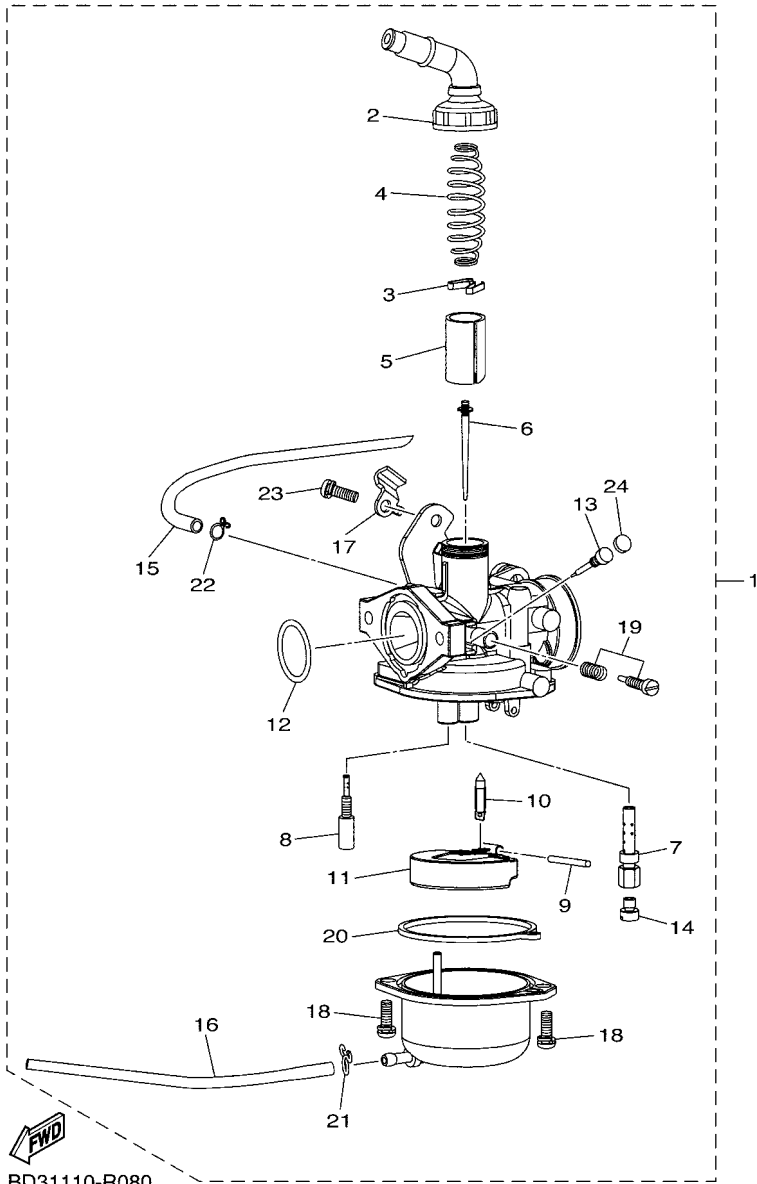


FIG. 7 INTAKE

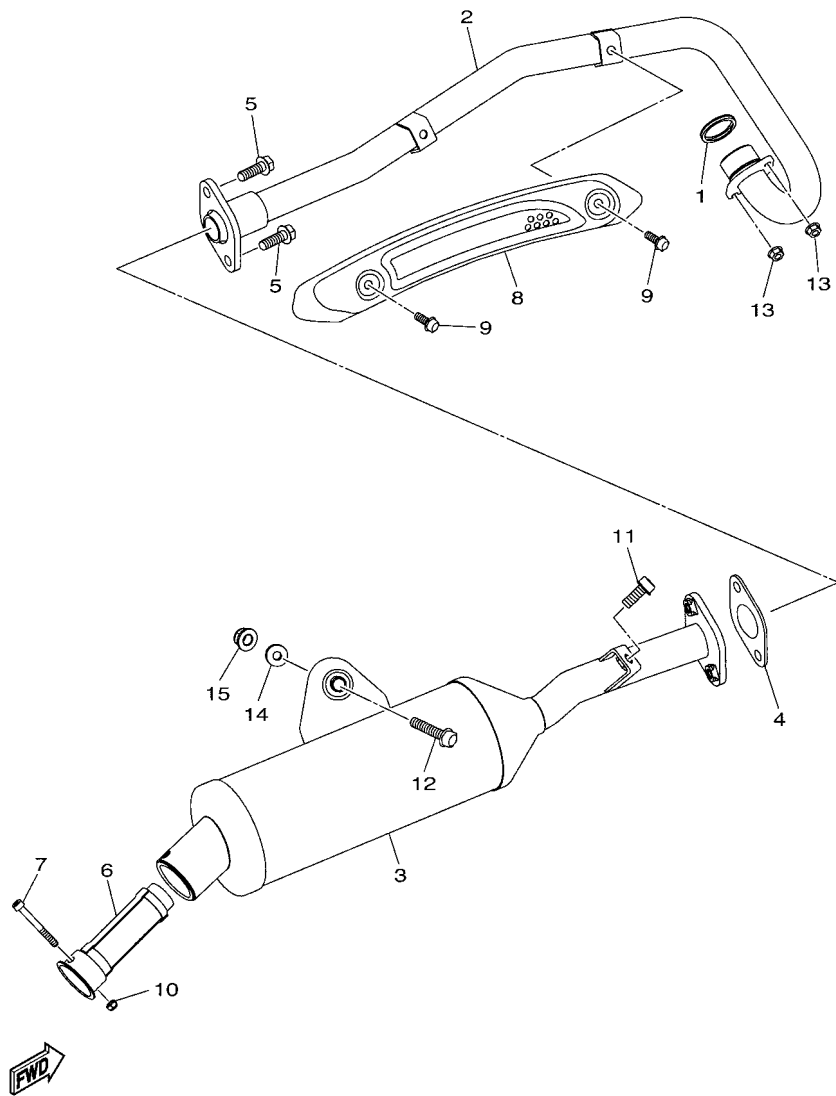
REF. NO.	PART NO.	DESCRIPTION	USA				REMARKS
1	BD3-E4408-10	AIR FILTER CASE COMP.	1				
2	BD3-E4472-00	PLATE, ELEMENT	1				
3	BD3-E4451-00	ELEMENT, AIR CLEANER	1				
4	BD3-E4412-10	CAP, CLEANER CASE 1	1				
5	BD3-E4424-00	CLIP, CAP FITTING	2				
6	BD3-E2491-10	CLAMP 1	1				
7	BD3-E3577-10	CLIP	1				
8	BD3-E443E-00	PIPE, DRAIN	1				
9	BD3-E4457-00	SEAL	1				
10	BD3-E4446-10	BOLT	3				
11	BD3-E1164-00	SEPERATOR, OIL	1				
12	BD3-E1166-00	PIPE, BREATHER 1	1				
13	BD3-E3577-10	CLIP	1				
14	BD3-E4137-10	CLIP	2				
15	BD3-E1126-00	PIPE, BREATHER 3	1				
16	BD3-E1125-00	PIPE, BREATHER 4	1				
17	BD3-E4159-10	CLIP	2				
18	BD3-E4919-10	CLIP	1				
19	BD3-E4777-10	BOLT	2				
20	BD3-E5471-00	DUCT, AIR	1				
21	BD3-E5473-00	DUCT, AIR	1				
22	BD3-E1387-00	CLAMP, HOSE 1	4				
23	BD3-F7416-10	BOLT, FOOTREST	1				
24	BD3-E261D-10	NUT SPRING 1	2				
25	BD3-E5793-10	SCREW	2				
26	BD3-E5472-00	SEAL, AIR DUCT	2				
27	BD3-E4849-00	BRACKET	1				

FIG. 8 CARBURETOR



REF. NO.	PART NO.	DESCRIPTION	USA				REMARKS
1	BD3-E4101-10	CARBURETOR ASSY 1	1				
2	BD3-E439D-10	.CAP, MIXING CHAMBER	1				
3	BD3-E439G-00	.CLIP 1	1				
4	BD3-E4331-00	.SPRING, THROTTLE VALVE	1				
5	BD3-E3731-00	.VALVE, THROTTLE	1				
6	BD3-E4150-00	.NEEDLE ASSY	1				
7	BD3-E414G-00	.PIPE, MAIN BLEED	1				
8	BD3-E4942-00	.JET, PILOT	1				
9	BD3-E4386-00	.PIN, FLOAT	1				
10	BD3-E4392-00	.VALVE, NEEDLE	1				
11	BD3-E4385-00	.FLOAT	1				
12	BD3-E4397-00	.O-RING	1				
13	BD3-E4211-00	.SCREW, PILOT ADJUSTING	1				
14	BD3-E415A-00	.JET, MAIN	1				
15	BD3-E4348-00	.PIPE 1	1				
16	BD3-E4349-00	.PIPE	1				
17	BD3-E4581-10	.BRACKET	1				
18	BD3-E4325-10	.SCREW, PAN HEAD	2				
19	BD3-E4521-00	.SCREW, ADJUST	1				
20	BD3-E4384-00	.GASKET, FLOAT CHAMBER	1				
21	BD3-E439H-10	.CLIP 2	1				
22	BD3-E449C-10	.CLIP 1	1				
23	BD3-E4216-10	.SCREW	1				
24	BD3-E443B-00	.PLUG, BLIND	1				

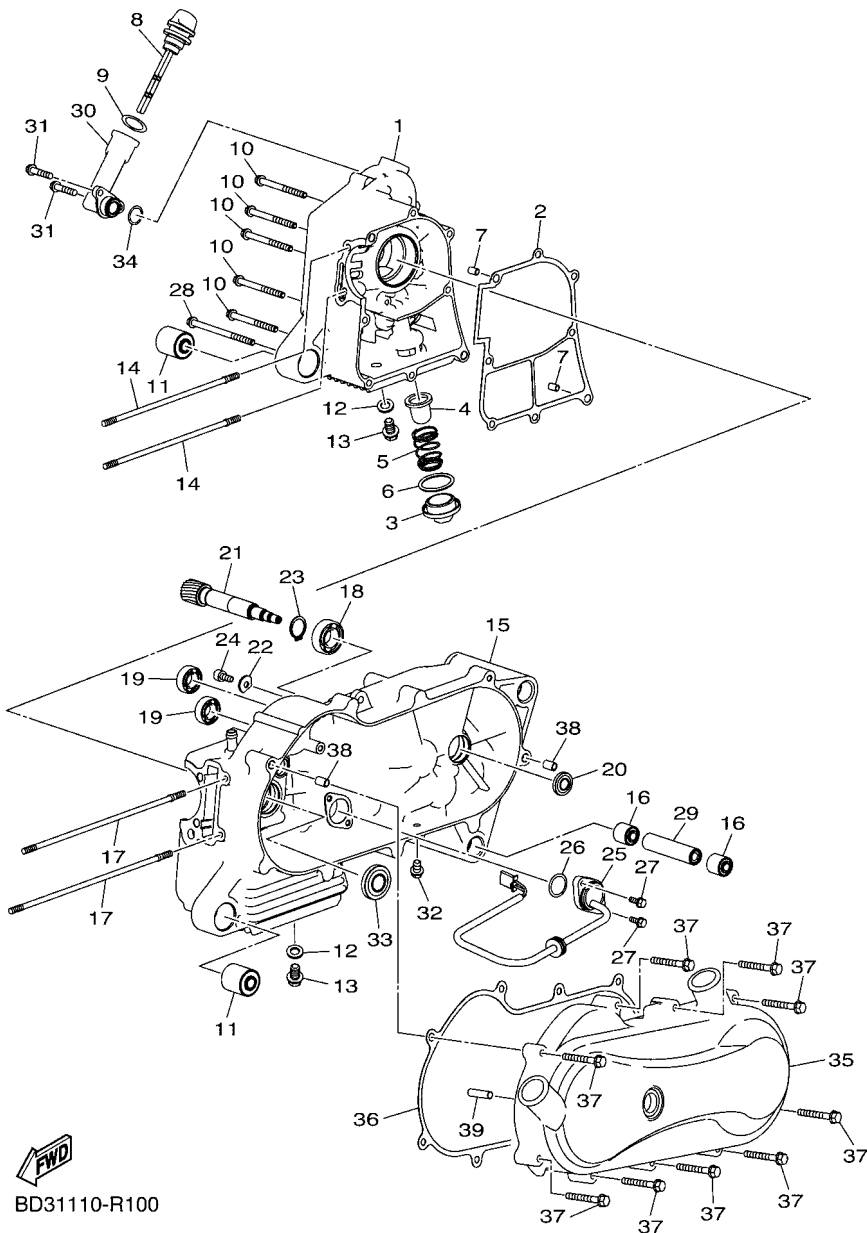
FIG. 9 EXHAUST



BD31110-R090

REF. NO.	PART NO.	DESCRIPTION	USA					REMARKS
1	BD3-E4613-00	GASKET, EXHAUST PIPE	1					
2	BD3-E4611-00	PIPE, EXHAUST 1	1					
3	BD3-E4711-00	MUFFLER 1	1					
4	BD3-E4714-00	GASKET, MUFFLER	1					
5	BD3-E5768-00	BOLT	2					
6	BD3-E4780-00	SPARK ARRESTER ASSY	1					
7	BD3-E3574-00	BOLT 2	1					
8	BD3-E4628-00	PROTECTOR, EXHAUST PIPE	1					
9	BD3-E6194-00	BOLT, HEXAGON WITH WASHER	2					
10	BD3-E4358-00	NUT	1					
11	BD3-F3876-10	BOLT	1					
12	BD3-E6777-10	BOLT	1					
13	BD3-F1494-10	NUT	2					
14	BD3-E2289-10	WASHER	1					
15	BD3-F1635-10	NUT, REAR FENDER	1					

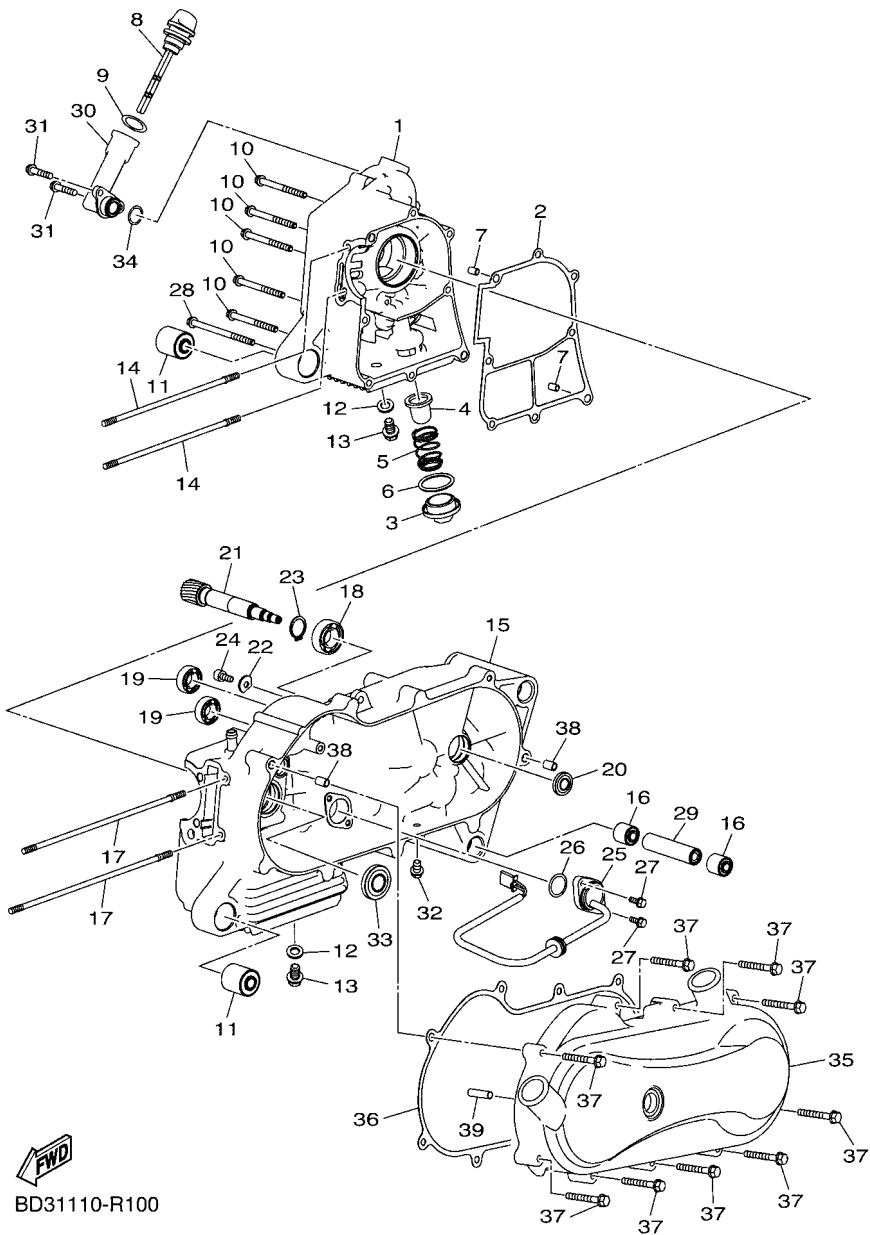
FIG. 10 CRANKCASE



BD31110-R100

REF. NO.	PART NO.	DESCRIPTION	USA				REMARKS
1	BD3-E5121-00	CRANKCASE 2	1				
2	BD3-E5314-00	GASKET, CRANKCASE 1	1				
3	BD3-E5351-00	PLUG, DRAIN	1				
4	BD3-E3411-00	STRAINER, OIL	1				
5	BD3-E3469-00	SPRING	1				
6	BD3-E119B-00	O-RING	1				
7	BD3-E3516-00	PIN, DOWEL	2				
8	BD3-E5362-00	PLUG, OIL LEVEL	1				
9	BD3-E2843-00	O-RING	1				
10	BD3-H1826-10	BOLT	5				
11	BD3-E4844-00	DAMPER	2				
12	BD3-E5158-00	WASHER	2				
13	BD3-G2544-10	BOLT	2				
14	BD3-G2742-10	BOLT	2				
15	BD3-E5111-10	CRANKCASE 1	1				
16	BD3-E5328-00	SPACER, DAMPER	2				
17	BD3-G3143-10	BOLT	2				
18	BD3-E1428-00	BEARING 1	1				
19	BD3-E1429-00	BEARING 2	2				
20	BD3-E511A-00	OIL SEAL	1				
21	BD3-E6111-00	GEAR, PRIMARY DRIVE	1				
22	BD3-E511B-10	OIL SEAL	1				
23	BD3-E5744-00	CIRCLIP	1				
24	BD3-G3886-10	BOLT	1				
25	BD3-H2540-00	NEUTRAL SWITCH ASSY	1				
26	BD3-E2439-00	O-RING	1				
27	BD3-G4581-10	BOLT	2				

FIG. 10 CRANKCASE

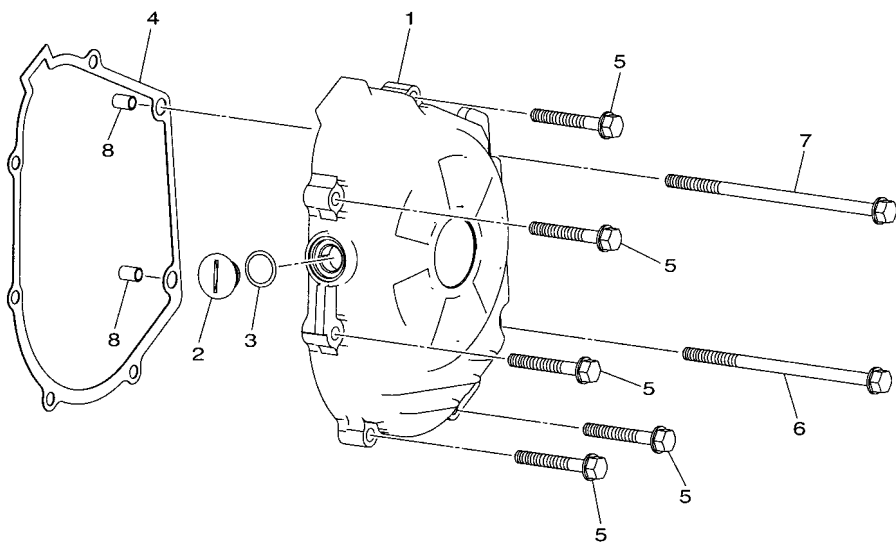


BD31110-R100

REF. NO.	PART NO.	DESCRIPTION	USA				REMARKS
28	BD3-G5154-10	BOLT	1				
29	BD3-E5327-10	SPACER, ENGINE MOUNT	1				
30	BD3-E5112-00	PIPE, OIL	1				
31	BD3-E2623-10	BOLT	2				
32	BD3-G5241-10	BOLT, FLANGE W/WASHER	1				
33	BD3-E5315-00	SEAL, CRANKCASE	1				
34	BD3-E5114-00	O-RING	1				
35	BD3-E5411-10	COVER, CRANKCASE 1	1				
36	BD3-E5451-00	GASKET, CRANKCASE COVER 1	1				
37	BD3-G1148-10	BOLT	9				
38	BD3-E3516-00	PIN, DOWEL	2				
39	BD3-E5521-00	SHAFT 1	1				

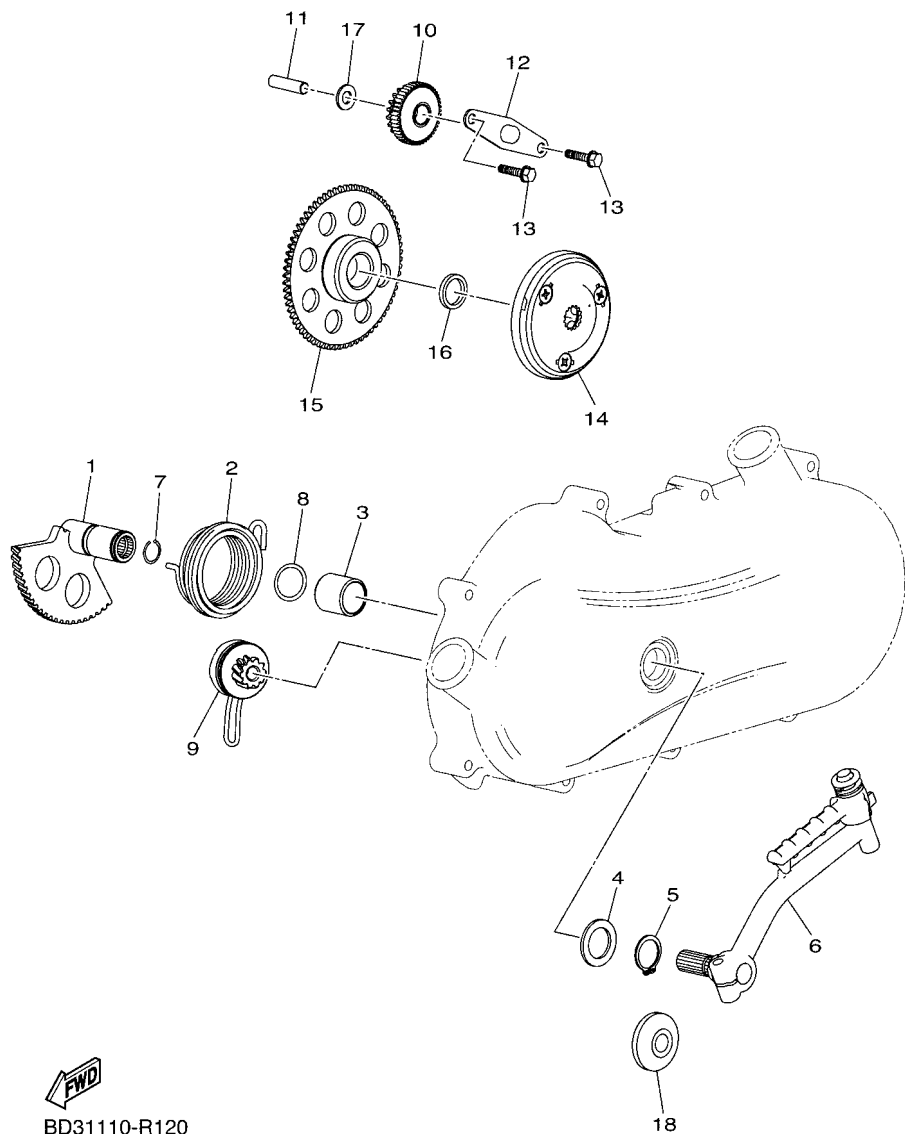
FIG. 11 CRANKCASE COVER 1

REF. NO.	PART NO.	DESCRIPTION	USA				REMARKS
1	BD3-E5414-10	COVER, AIR CLEANER	1				
2	BD3-E5189-00	PLUG	1				
3	BD3-E511C-00	OIL SEAL	1				
4	BD3-E5462-00	GASKET, CRANKCASE COVER 3	1				
5	BD3-G6249-10	BOLT	5				
6	BD3-G7542-10	BOLT	1				
7	BD3-G7553-10	BOLT	1				
8	BD3-E3516-00	PIN, DOWEL	2				



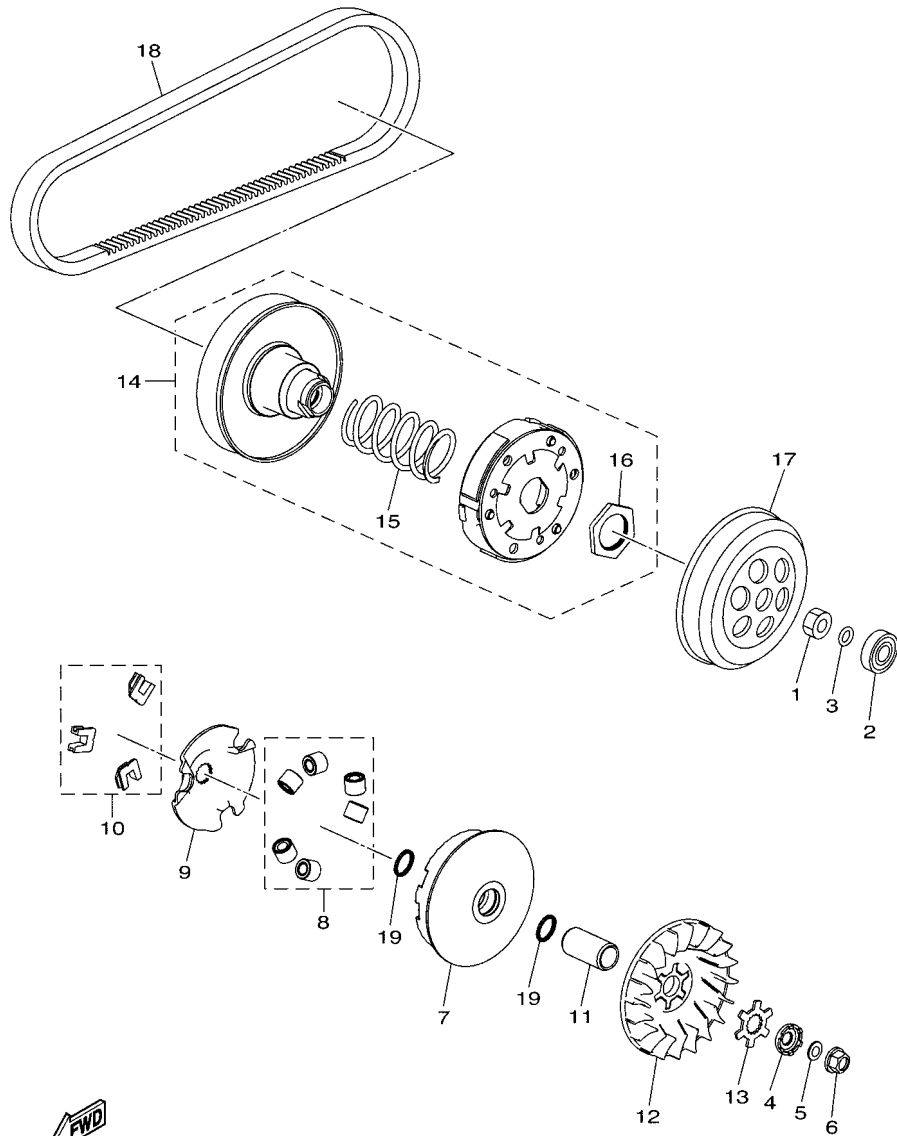
BD31110-R110

FIG. 12 STARTER



BD31110-R120

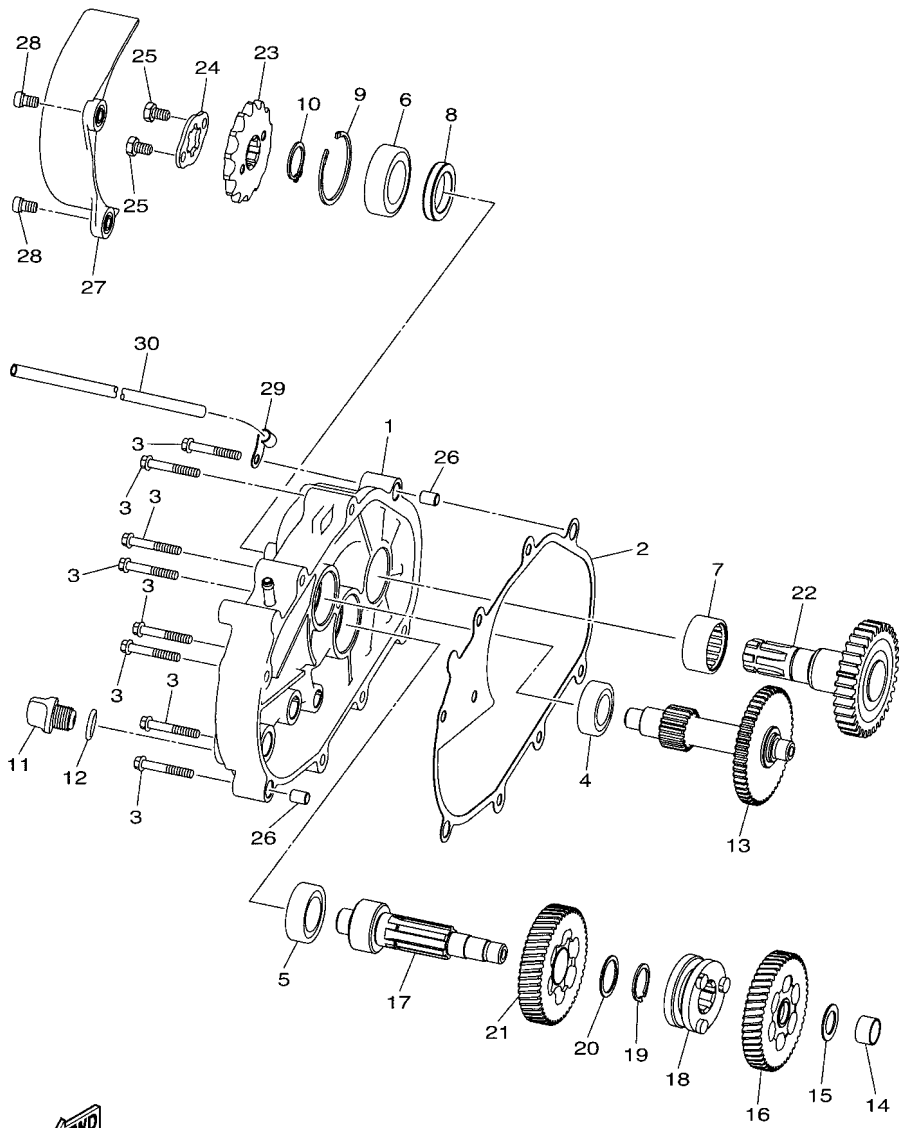
REF. NO.	PART NO.	DESCRIPTION	USA				REMARKS
1	BD3-E5600-10	KICK SHAFT UNIT ASSY	1				
2	BD3-E5665-00	SPRING, KICK	1				
3	BD3-E5677-00	BOSS, KICK AXLE	1				
4	BD3-E2456-10	WASHER	1				
5	BD3-E662A-00	CIRCLIP	1				
6	BD3-E5620-00	KICK CRANK ASSY	1				
7	BD3-E5597-00	CIRCLIP 2	1				
8	BD3-E3016-00	O-RING	1				
9	BD3-E5670-00	KICK PINION ASSY 2	1				
10	BD3-E5512-00	GEAR, IDLER 1	1				
11	BD3-E5521-00	SHAFT 1	1				
12	BD3-E5532-00	PLATE, IDLE GEAR	1				
13	BD3-G1228-10	BOLT	2				
14	BD3-E5524-10	WHEEL, STARTER	1				
15	BD3-E5570-00	STARTER CLUTCH ASSY	1				
16	BD3-E5613-10	WASHER	1				
17	BD3-E5615-10	WASHER	1				
18	BD3-E5681-00	PLUG, BLIND	1				



BD31110-R130

FIG. 13 CLUTCH

REF. NO.	PART NO.	DESCRIPTION	USA				REMARKS
1	BD3-E4594-10	NUT	1				
2	BD3-E7156-00	BEARING 1	1				
3	BD3-E3769-00	O-RING	1				
4	BD3-E5657-00	CLUTCH, ONEWAY	1				
5	BD3-F3427-00	WASHER	1				
6	BD3-F3834-10	NUT 2	1				
7	BD3-E7621-00	SHEAVE, PRIMARY SLIDING	1				
8	BD3-E7632-00	WEIGHT	1				
9	BD3-E7623-00	CAM	1				
10	BD3-E7625-00	BUSH	1				
11	BD3-E7637-00	BUSH	1				
12	BD3-E7611-00	SHEAVE, PRIMARY FIXED	1				
13	BD3-E7646-00	WASHER, LOCK	1				
14	BD3-E6620-10	CLUTCH CARRIER ASSY	1				
15	BD3-E7683-00	.SPRING, SECONDARY	1				
16	BD3-E4595-10	.NUT	1				
17	BD3-E6611-00	CLUTCH HOUSING COMP.	1				
18	BD3-E7641-00	V-BELT	1				
19	BD3-E76F3-00	OIL SEAL	2				

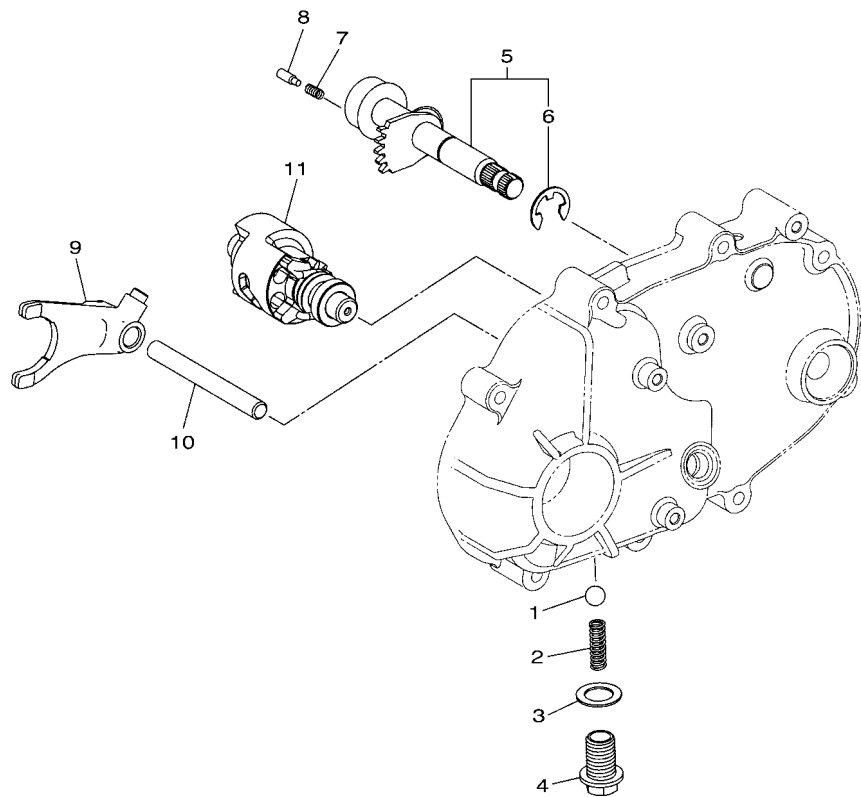


FWD
BD31110-R140

FIG. 14 TRANSMISSION

REF. NO.	PART NO.	DESCRIPTION	USA				REMARKS
1	BD3-E5420-10	CRANKCASE COVER ASSY 2	1				
2	BD3-E5461-00	GASKET, CRANKCASE COVER 2	1				
3	BD3-G1148-10	BOLT	8				
4	BD3-E1429-00	BEARING 2	1				
5	BD3-E4814-00	BEARING	1				
6	BD3-E5693-00	BEARING	1				
7	BD3-E7678-00	BEARING	1				
8	BD3-E4005-00	RING, SEAL	1				
9	BD3-E2842-00	CIRCLIP	1				
10	BD3-E662A-00	CIRCLIP	1				
11	BD3-E5363-00	PLUG, OIL	1				
12	BD3-E4561-00	O-RING	1				
13	BD3-E7430-00	COUNTER AXLE ASSY	1				
14	BD3-E1478-00	COLLAR	1				
15	BD3-E3578-00	WASHER	1				
16	BD3-E6151-00	GEAR, PRIMARY DRIVEN	1				
17	BD3-E7421-00	AXLE, DRIVE	1				
18	BD3-E7285-00	CLUTCH, DOG	1				
19	BD3-E551A-00	CIRCLIP 1	1				
20	BD3-E3995-00	WASHER	1				
21	BD3-E7253-00	GEAR, REVERSE WHEEL 2	1				
22	BD3-E7520-00	DRIVE PINION ASSY	1				
23	BD3-E7451-00	SPROCKET, DRIVE	1				
24	BD3-E7446-10	PLATE	1				
25	BD3-E2299-10	BOLT, STOPPER	2				
26	BD3-E7498-00	PIN, DOWEL	2				
27	BD3-E5418-00	COVER, CHAIN CASE	1				

FIG. 15 SHIFT CAM & FORK



REF. NO.	PART NO.	DESCRIPTION	USA				REMARKS
1	BD3-E7051-00	BALL	1				
2	BD3-E7479-00	SPRING, BALL HOLD	1				
3	BD3-E7058-00	WASHER,1	1				
4	BD3-E765G-10	SCREW, FIXED	1				
5	BD3-E8103-10	SHIFT SHAFT COMP.	1				
6	BD3-HA906-00	.CIRCLIP 1	1				
7	BD3-E8545-00	SPRING	1				
8	BD3-E8542-00	POINT, NEUTRAL	1				
9	BD3-E8511-00	FORK, SHIFT 1	1				
10	BD3-E8531-00	BAR, SHIFT FORK GUIDE 1	1				
11	BD3-E8540-00	SHIFT CAM ASSY	1				


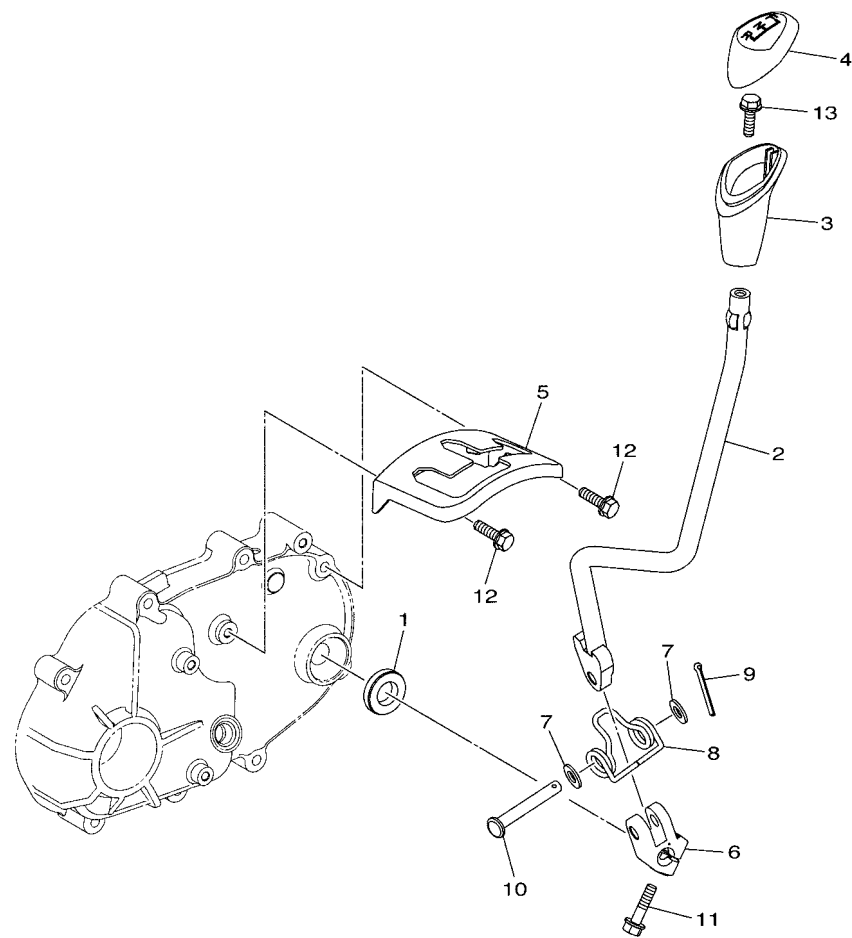

BD31110-R150

FIG. 16 SHIFT SHAFT



REF. NO.	PART NO.	DESCRIPTION	USA				REMARKS
1	BD3-G3882-00	OIL SEAL	1				
2	BD3-E8190-00	LEVER COMP. 1	1				
3	BD3-E8174-00	KNOB, SHIFT LEVER	1				
4	BD3-E7496-00	KNOB	1				
5	BD3-E8172-00	GUIDE, SHIFT	1				
6	BD3-E8179-00	GUIDE	1				
7	BD3-E5615-10	WASHER	2				
8	BD3-E8196-00	SPRING, RETURN	1				
9	BD3-F146E-10	PIN 2	1				
10	BD3-E8125-10	SHAFT, SHIFT	1				
11	BD3-G8171-10	BOLT	1				
12	BD3-H1452-10	BOLT	2				
13	BD3-H1552-10	BOLT	1				



BD31110-R160

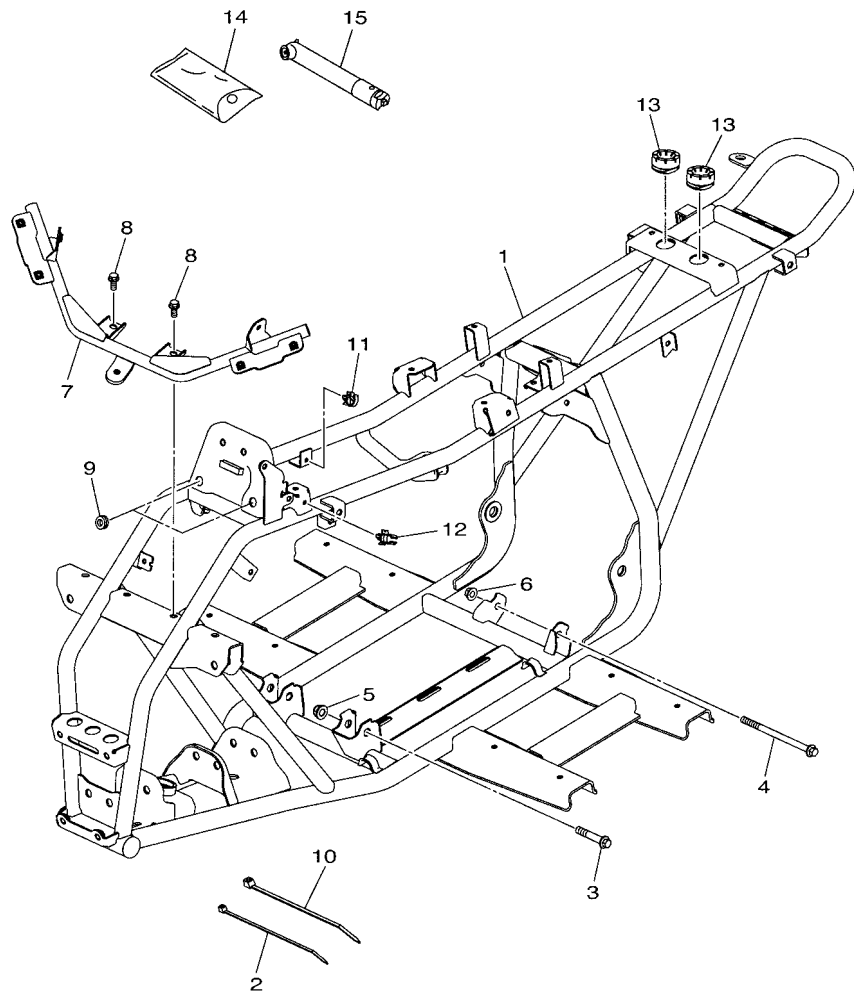


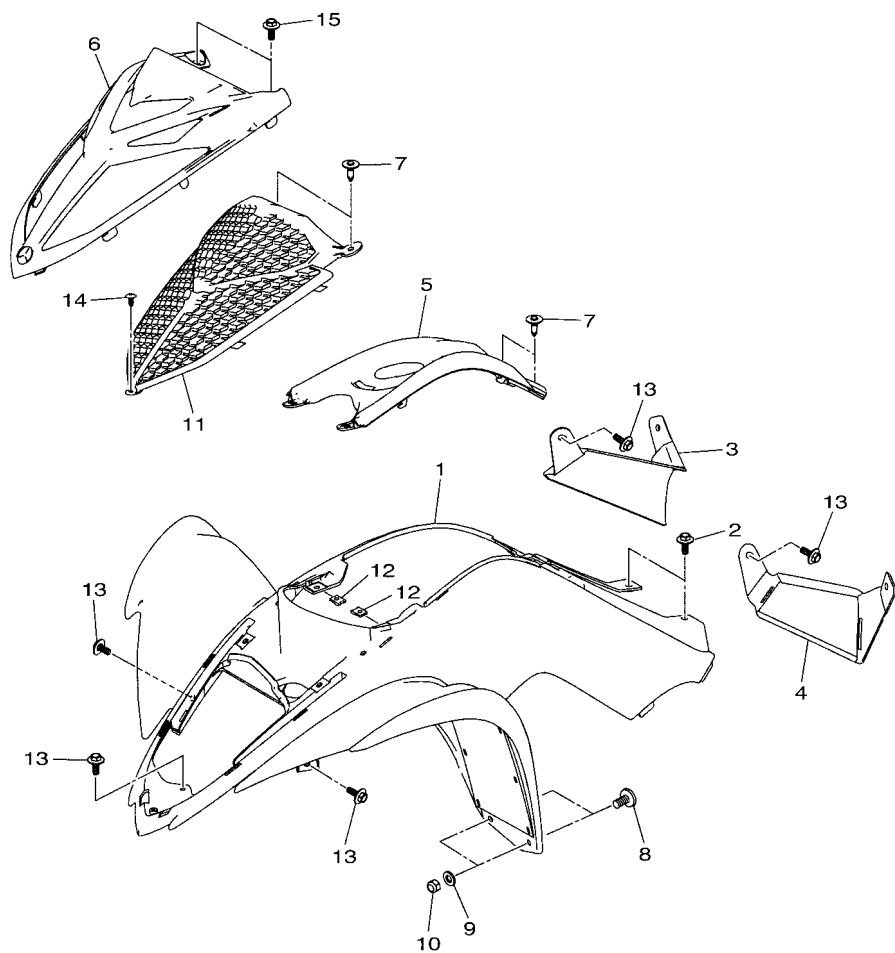
FIG. 17 FRAME

REF. NO.	PART NO.	DESCRIPTION	USA				REMARKS
1	BD3-F1110-00	FRAME COMP.	1				
2	BD3-F1646-00	BAND	8				
3	BD3-F6332-10	BOLT	2				
4	BD3-F4178-10	BOLT 3	1				
5	BD3-F1839-10	NUT	2				
6	BD3-F3778-10	NUT	1				
7	BD3-F1513-00	STAY, FENDER 1	1				
8	BD3-F4176-10	BOLT 1	2				
9	BD3-F1719-00	GROMMET	2				
10	BD3-F1647-00	BAND	1				
11	BD3-F1338-00	CLAMP	1				
12	BD3-F15A3-00	CLAMP	1				
13	BD3-F113B-00	DAMPER	2				
14	BD3-F8100-10	TOOL KIT	1				
15	BD3-F811A-10	GAUGE, AIR	1				



BD34110-S170

FIG. 18 FRONT FENDER

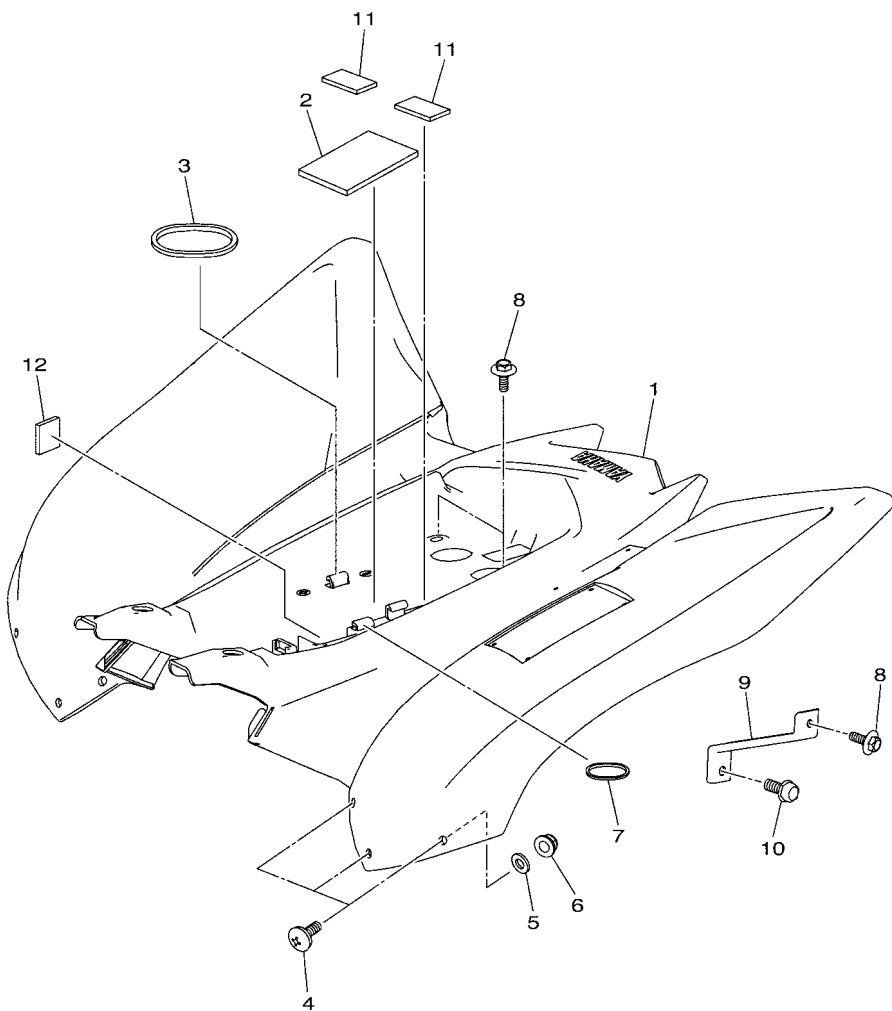


REF. NO.	PART NO.	DESCRIPTION	USA	REMARKS
1	BD3-F1500-00	FRONT FENDER ASSY	1	
2	BD3-F1738-00	BOLT	2	
3	BD3-F1721-00	COVER, SIDE 2	1	
4	BD3-F1711-00	COVER, SIDE 1	1	
5	BD3-F171A-00	COVER, TOP	1	UR FOR DPBSE
	BD3-F171A-10	COVER, TOP	1	UR FOR BWS1
6	BD3-F1556-00	FENDER, FRONT 2	1	UR FOR DPBSE
	BD3-F1556-10	FENDER, FRONT 2	1	UR FOR BWS1
7	BD3-F1728-00	RIVET	4	
8	BD3-F11C8-00	SCREW 4	4	
9	BD3-F2149-10	WASHER	4	
10	BD3-F4148-10	NUT, SPEED 3	4	
11	BD3-E2467-00	COVER, RADIATOR	1	
12	BD3-F4149-10	NUT	2	
13	BD3-F1632-10	BOLT 2	5	
14	BD3-F2969-10	SCREW, 1	1	
15	BD3-F3356-10	BOLT 2	2	



BD34110-S180

FIG. 19 REAR FENDER



FWD
BD31110-R190

REF. NO.	PART NO.	DESCRIPTION	USA				REMARKS
1	BD3-F1600-30	REAR FENDER ASSY	1				UR FOR DPBSE
	BD3-F1600-60	REAR FENDER ASSY	1				UR FOR BWS1
2	BD3-H2122-00	SEAT, BATTERY	1				
3	BD3-H2131-00	BAND, BATTERY	1				
4	BD3-F11C8-00	SCREW 4	6				
5	BD3-F2149-10	WASHER	6				
6	BD3-F4148-10	NUT, SPEED 3	6				
7	BD3-F1376-00	BAND, TOOL	1				
8	BD3-F1632-10	BOLT 2	4				
9	BD3-F1613-00	STAY, FENDER 1	2				
10	BD3-F4176-10	BOLT 1	2				
11	BD3-F1639-00	DAMPER 2	2				
12	BD3-F1649-00	DAMPER	1				

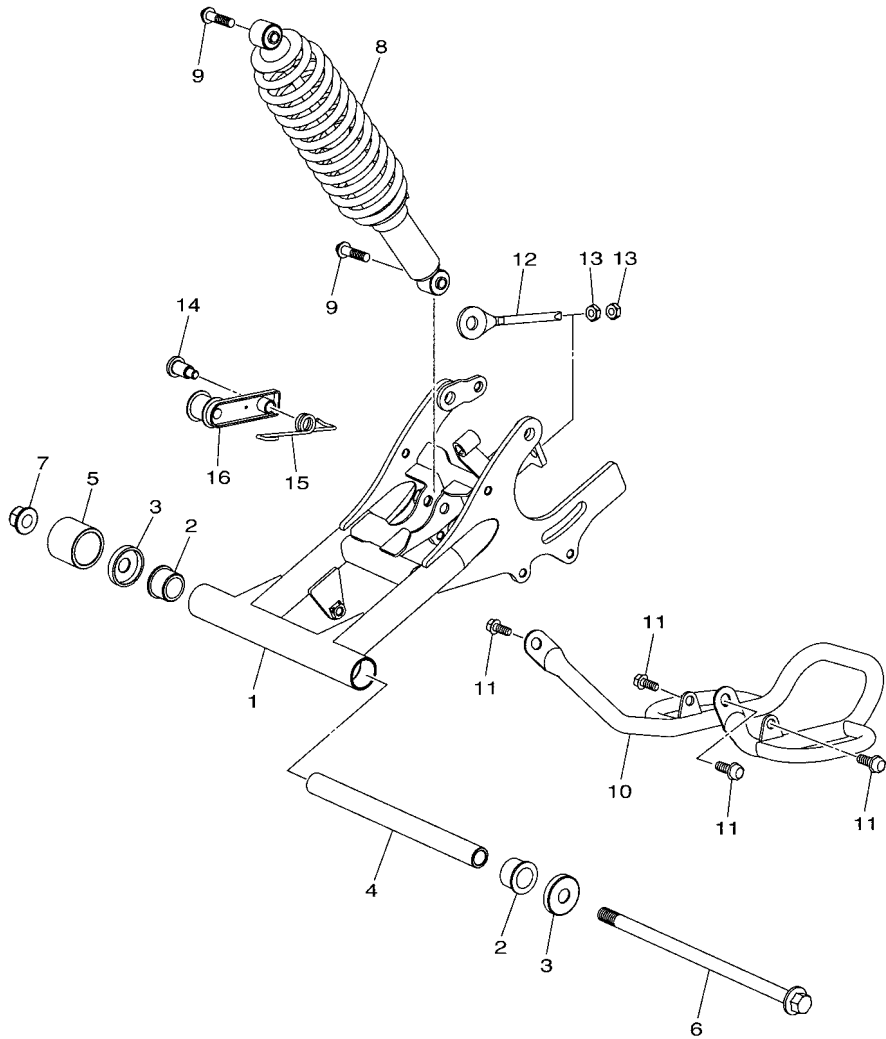


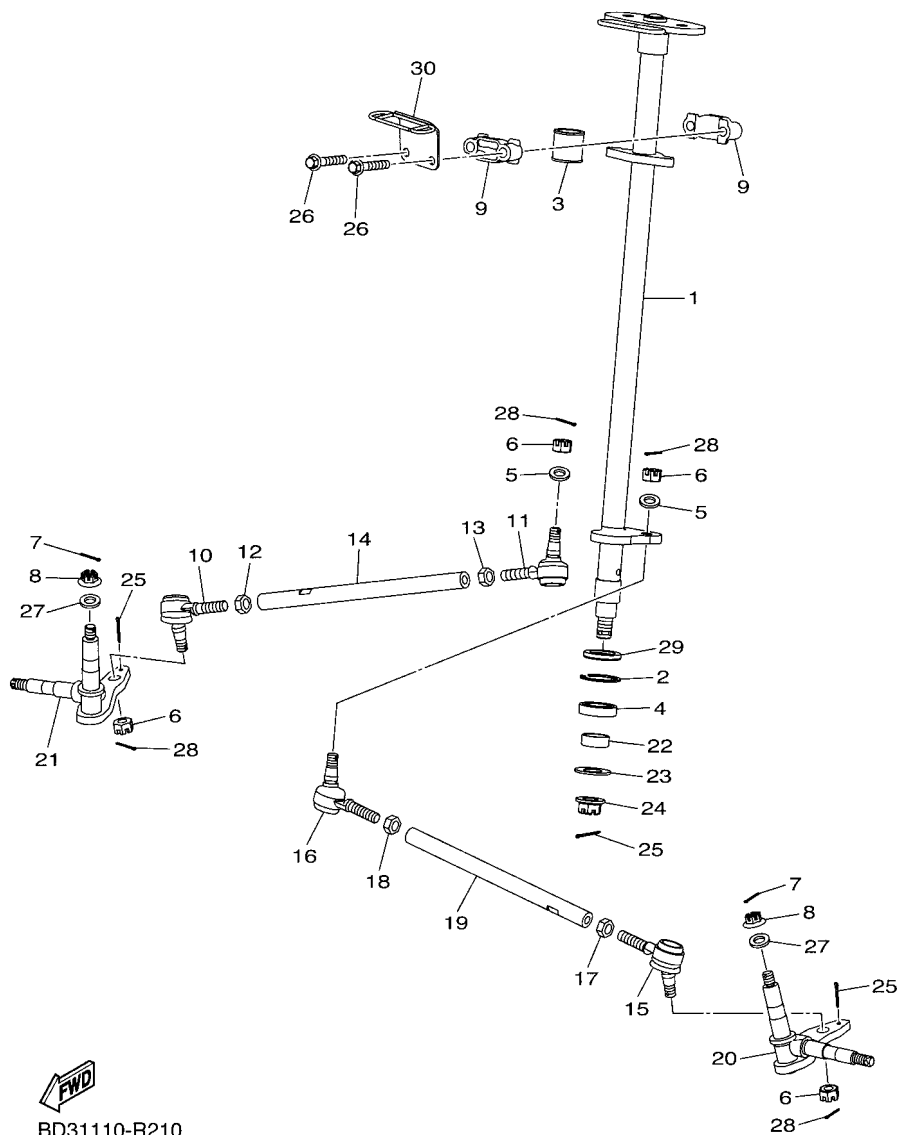
FIG. 20 REAR ARM

REF. NO.	PART NO.	DESCRIPTION	USA				REMARKS
1	BD3-F2110-00	REAR ARM COMP.	1				
2	BD3-F2123-00	BUSH 1	2				
3	BD3-F2128-00	COVER, THRUST 1	2				
4	BD3-F2126-00	COLLAR, DISTANCE	1				
5	BD3-F2151-00	SEAL, GUARD	1				
6	BD3-F1722-10	BOLT 2	1				
7	BD3-F1535-10	NUT 1	1				
8	BD3-F2210-00	SHOCK ABSORBER ASSY, REAR	1				
9	BD3-F4834-10	BOLT	2				
10	BD3-F2361-00	GUARD 1	1				
11	BD3-F3876-10	BOLT	4				
12	BD3-F5388-10	PULLER, CHAIN 1	1				
13	BD3-F1536-10	NUT 2	2				
14	BD3-F3769-10	BOLT	1				
15	BD3-F2169-00	SPRING, TENSIONER	1				
16	BD3-F2183-10	BRACKET, TENSIONER	1				



BD31110-R200

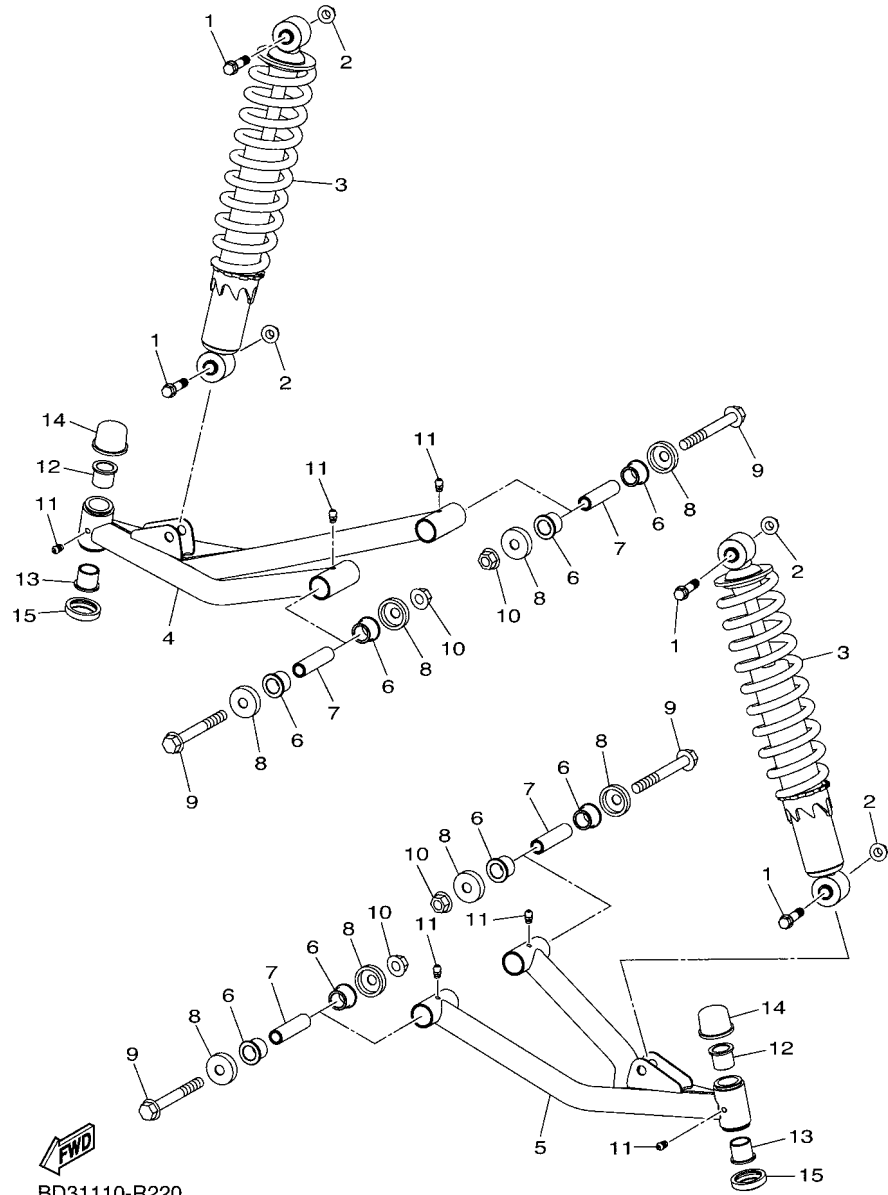
FIG. 21 STEERING



FWD
BD31110-R210

REF. NO.	PART NO.	DESCRIPTION	USA				REMARKS
1	BD3-F3813-00	COLUMN, STEERING 2	1				
2	BD3-F384N-00	CLIP, RING	1				
3	BD3-F3818-00	COVER, STEERING	1				
4	BD3-F3812-00	BEARING, STEERING	1				
5	BD3-F3427-00	WASHER	2				
6	BD3-F3856-10	NUT	4				
7	BD3-F146E-10	PIN 2	2				
8	BD3-F3877-10	NUT	2				
9	BD3-F3872-00	HOLDER, BEARING	2				
10	BD3-F3841-10	JOINT, UNIVERSAL 1	1				
11	BD3-F3845-10	JOINT, UNIVERSAL 2	1				
12	BD3-F1791-10	NUT	1				
13	BD3-F1829-10	NUT	1				
14	BD3-F3831-10	ROD, TIE	1				
15	BD3-F3841-10	JOINT, UNIVERSAL 1	1				
16	BD3-F3845-10	JOINT, UNIVERSAL 2	1				
17	BD3-F1791-10	NUT	1				
18	BD3-F1829-10	NUT	1				
19	BD3-F3831-10	ROD, TIE	1				
20	BD3-F3511-00	KNUCKLE, STEERING 1	1				
21	BD3-F3521-00	KNUCKLE, STEERING 2	1				
22	BD3-F38B2-10	SPACER	1				
23	BD3-F3165-00	WASHER, FELT	1				
24	BD3-F4531-10	NUT	1				
25	BD3-F112N-10	PIN	3				
26	BD3-F4177-10	BOLT 2	2				
27	BD3-F2246-00	WASHER 4	2				

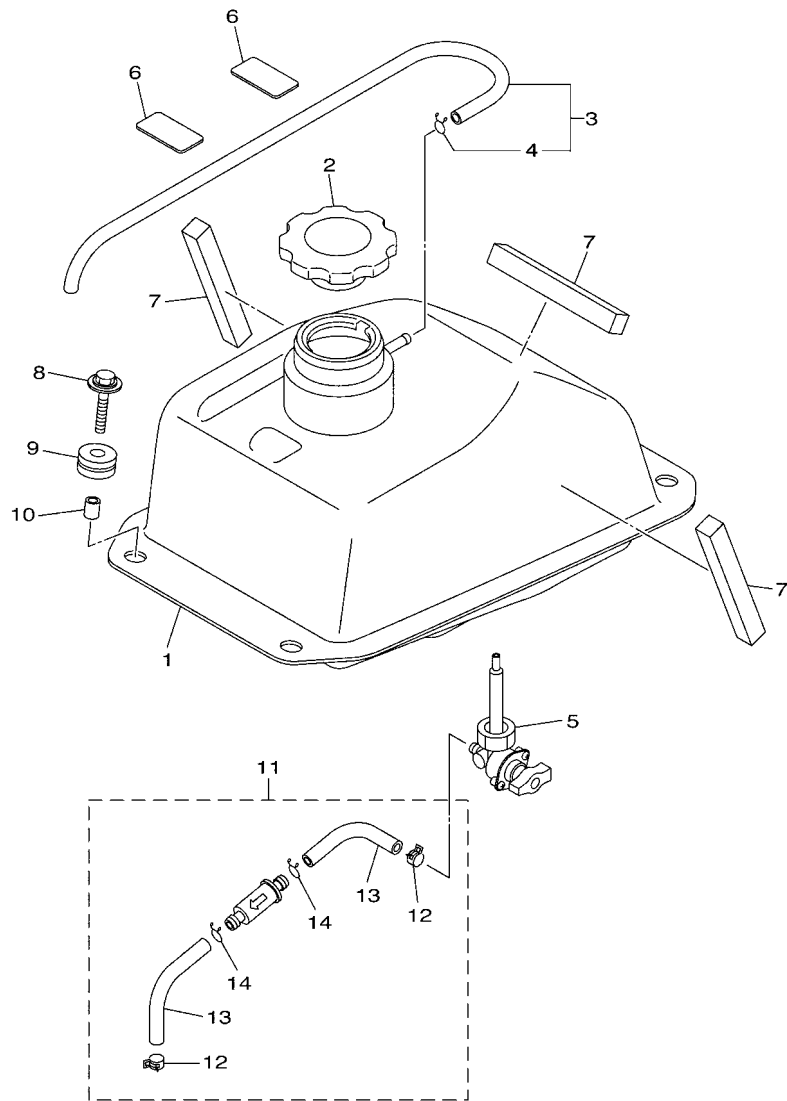
FIG. 22 FRONT SUSPENSION & WHEEL



BD31110-R220

REF. NO.	PART NO.	DESCRIPTION	USA				REMARKS
1	BD3-F4834-10	BOLT	4				
2	BD3-F3834-10	NUT 2	4				
3	BD3-F3350-10	SHOCK ABSORBER ASSY	2				
4	BD3-F3580-00	FRONT LOWER ARM COMP. (RIGHT)	1				
5	BD3-F3570-00	FRONT LOWER ARM COMP. (LEFT)	1				
6	BD3-F3526-00	BUSH	8				
7	BD3-F3364-00	COLLAR 2	4				
8	BD3-F3517-00	COVER, THRUST 1	8				
9	BD3-F7117-10	BOLT, MAIN STAND	4				
10	BD3-F3834-10	NUT 2	4				
11	BD3-F135J-10	NIPPLE	6				
12	BD3-F639L-00	BUSH 1	2				
13	BD3-F639M-00	BUSH 2	2				
14	BD3-F2129-00	COVER, THRUST 2	2				
15	BD3-F3527-00	SEAL, DUST 1	2				

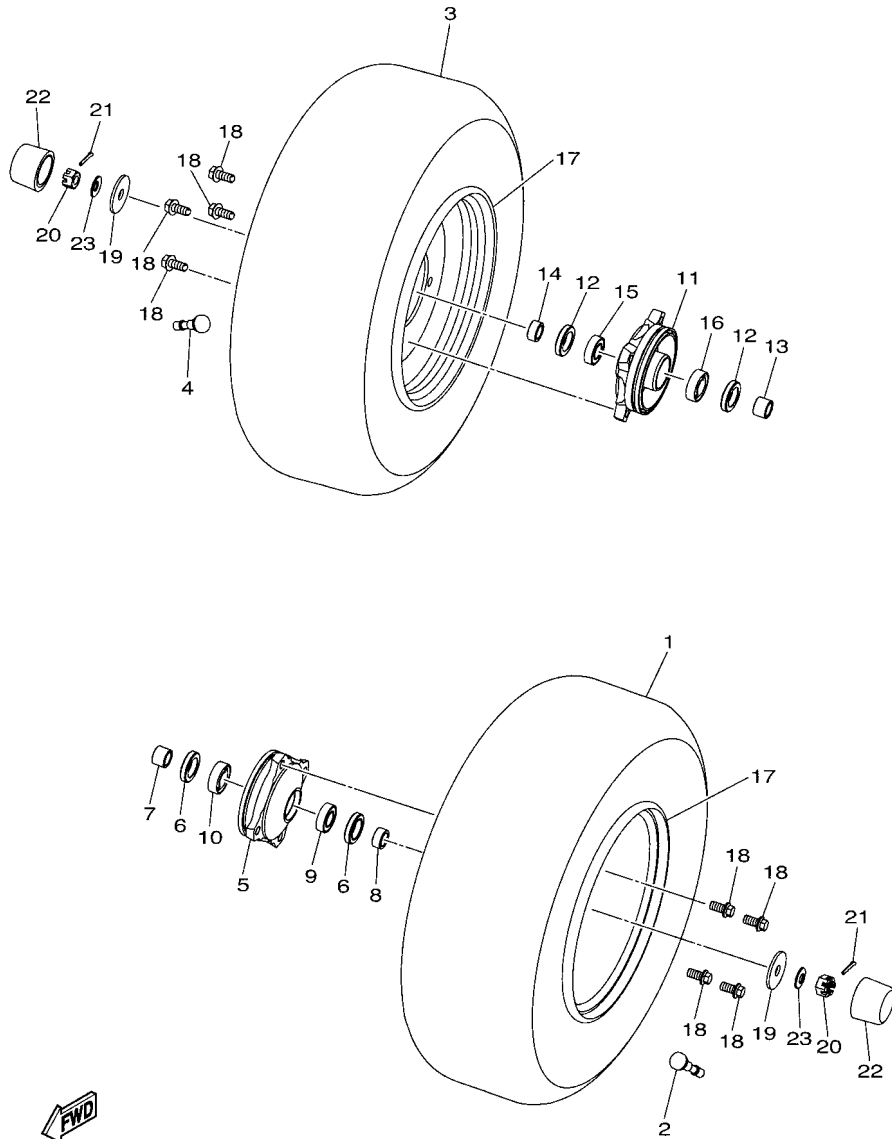
FIG. 23 FUEL TANK



BD31110-R230

REF. NO.	PART NO.	DESCRIPTION	USA				REMARKS
1	BD3-F4110-00	FUEL TANK COMP.	1				
2	BD3-F4610-10	CAP ASSY	1				
3	BD3-F318J-10	HOSE ASSY	1				
4	BD3-F3447-10	.CLIP	1				
5	BD3-F4500-00	FUEL COCK ASSY 1	1				
6	BD3-F1566-00	TAPE, 1	2				
7	BD3-F4181-00	DAMPER, LOCATING 1	3				
8	BD3-F3492-10	BOLT	4				
9	BD3-F4339-00	GROMMET	4				
10	BD3-F412G-10	COLLAR	4				
11	BD3-F4560-10	FILTER ASSY	1				
12	BD3-F4366-00	.CLAMP, FUEL PIPE 1	2				
13	BD3-F4864-00	.TUBE	2				
14	BD3-F411M-10	.CLIP	2				

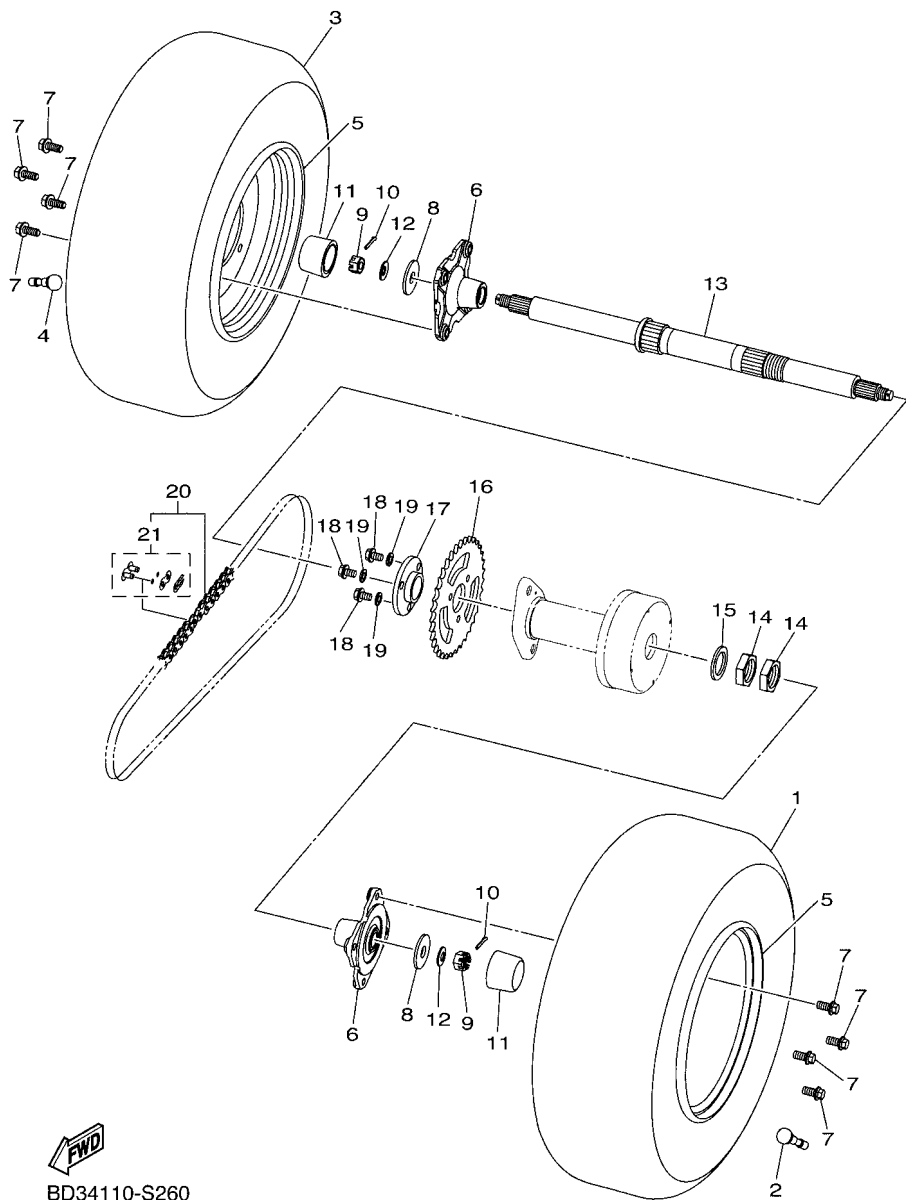
FIG. 25 FRONT WHEEL



BD31110-R250

REF. NO.	PART NO.	DESCRIPTION	USA				REMARKS
1	BD3-F510S-00	TIRE	1				
2	BD3-F5170-00	AIR VALVE ASSY	1				
3	BD3-F510S-00	TIRE	1				
4	BD3-F5170-00	AIR VALVE ASSY	1				
5	BD3-F5111-10	HUB, FRONT	1				
6	BD3-F511B-00	SEAL, OIL	2				
7	BD3-F5117-10	SPACER, BEARING	1				
8	BD3-F5105-10	SPACER	1				
9	BD3-F51H1-10	BEARING	1				
10	BD3-F51H2-10	BEARING 2	1				
11	BD3-F5111-10	HUB, FRONT	1				
12	BD3-F511B-00	SEAL, OIL	2				
13	BD3-F5117-10	SPACER, BEARING	1				
14	BD3-F5105-10	SPACER	1				
15	BD3-F51H1-10	BEARING	1				
16	BD3-F51H2-10	BEARING 2	1				
17	BD3-F5180-00	WHEEL COMP.	2				
18	BD3-F4592-10	BOLT	8				
19	BD3-F2245-10	WASHER 3	2				
20	BD3-F1293-10	NUT	2				
21	BD3-F112N-10	PIN	2				
22	BD3-F512A-00	CAP, WHEEL	2				
23	BD3-F3457-00	WASHER	2				

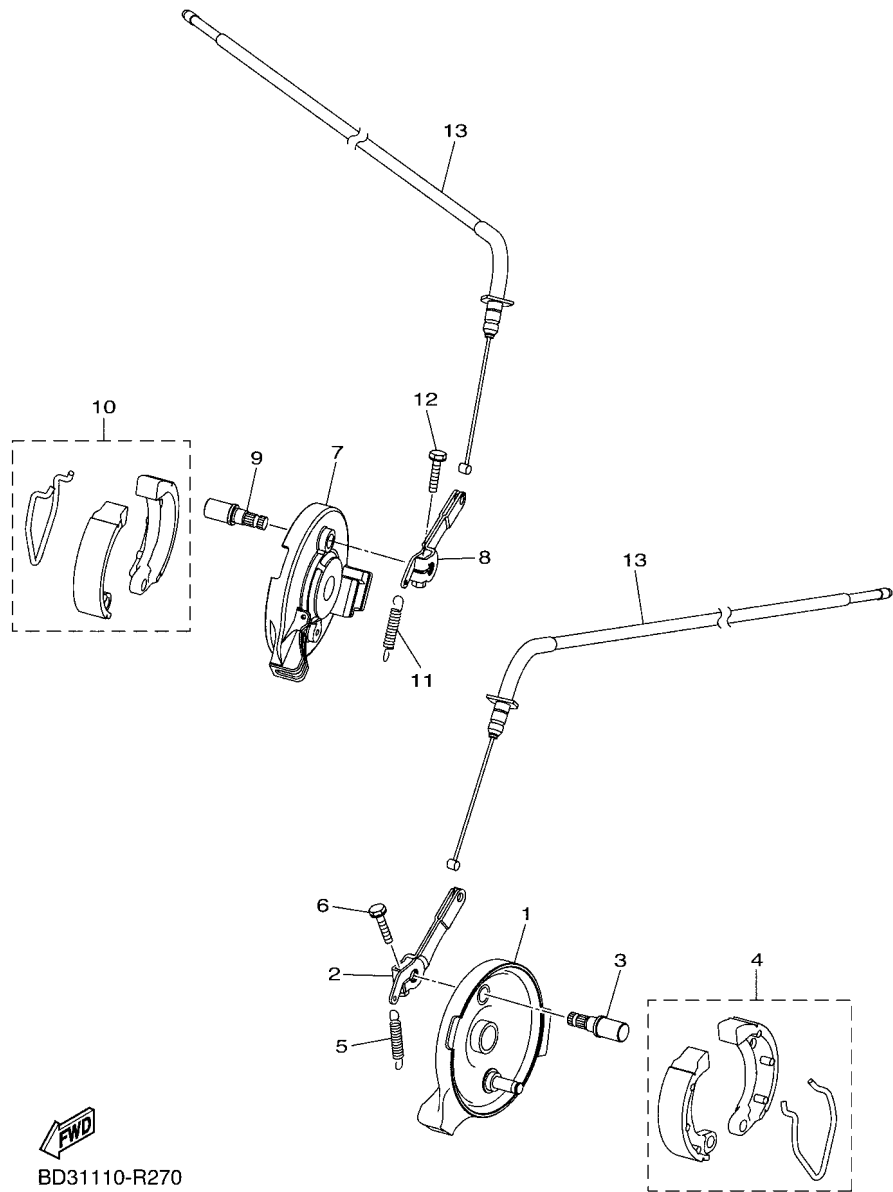
FIG. 26 REAR AXLE & WHEEL



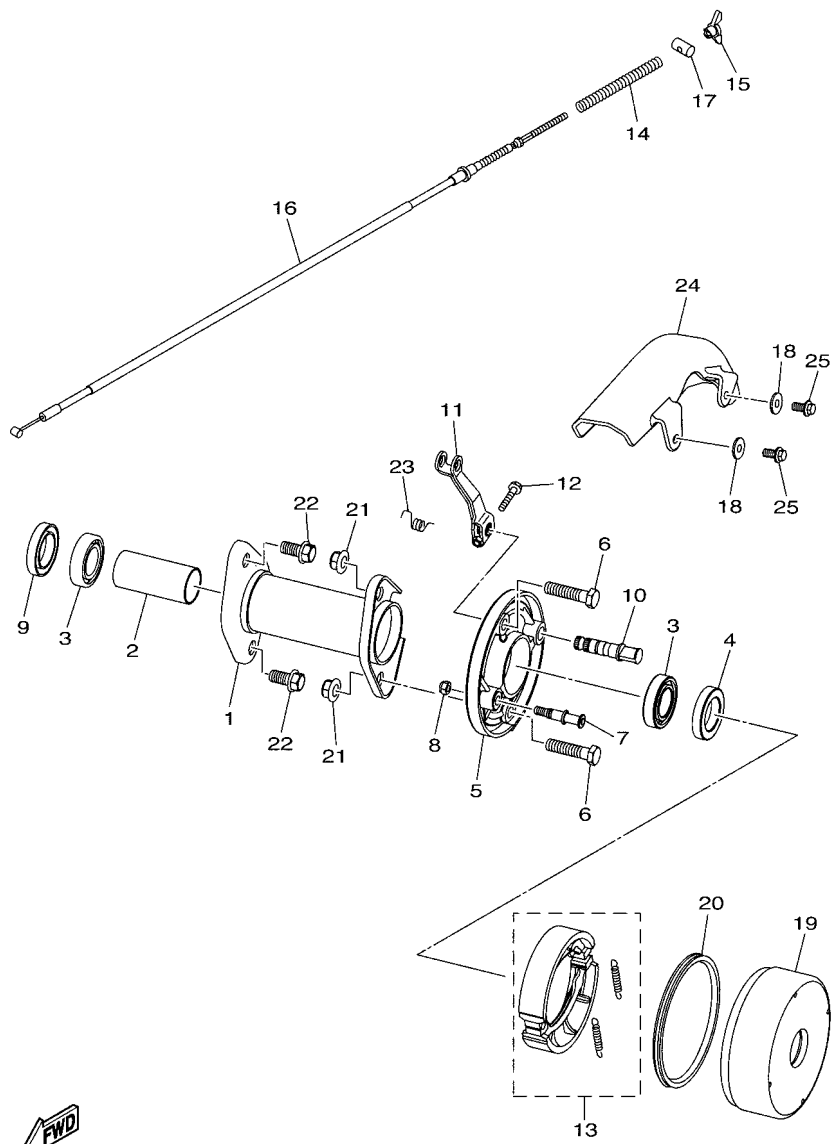
BD34110-S260

REF. NO.	PART NO.	DESCRIPTION	USA				REMARKS
1	BD3-F53P3-00	TIRE	1				
2	BD3-F5170-00	AIR VALVE ASSY	1				
3	BD3-F53P3-00	TIRE	1				
4	BD3-F5170-00	AIR VALVE ASSY	1				
5	BD3-F5180-00	WHEEL COMP.	2				
6	BD3-F5377-10	COLLAR, WHEEL	2				
7	BD3-F4592-10	BOLT	8				
8	BD3-F2243-10	WASHER 1	2				
9	BD3-F5382-10	NUT, AXLE	2				
10	BD3-F112N-10	PIN	2				
11	BD3-F512A-00	CAP, WHEEL	2				
12	BD3-F2159-00	WASHER, SPRING LOWER	2				
13	BD3-F5381-10	AXLE, WHEEL	1				
14	BD3-F1636-10	NUT	2				
15	BD3-F3737-00	WASHER 1	1				
16	BD3-F5438-00	SPROCKET, DRIVEN (38T)	1				
17	BD3-F5386-00	COLLAR, SPROCKET AXLE	1				
18	BD3-F3459-10	BOLT	3				
19	BD3-F2156-10	WASHER, PLATE	3				
20	BD3-F53C0-00	CHAIN	1				
21	BD3-E6548-00	.JOINT, CHAIN	1				

FIG. 27 FRONT BRAKE



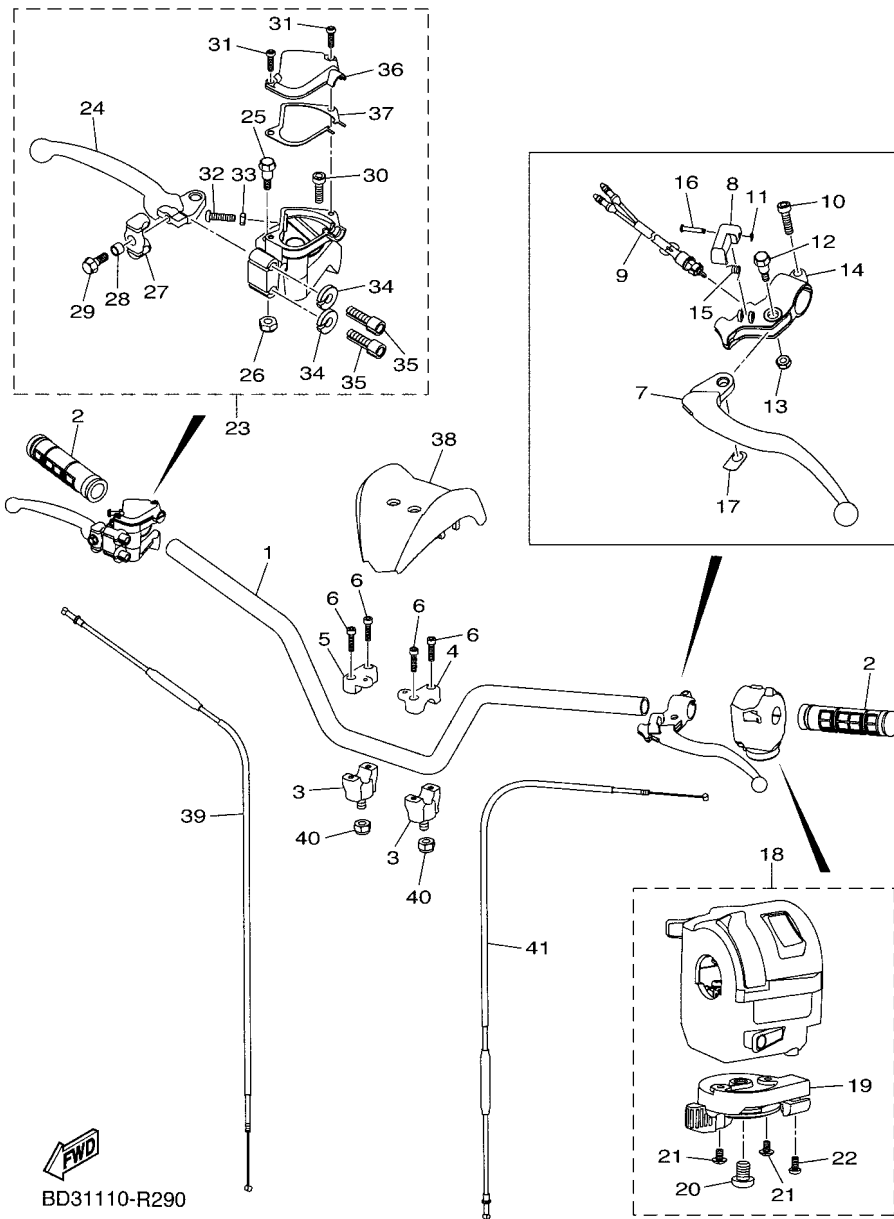
REF. NO.	PART NO.	DESCRIPTION	USA				REMARKS
1	BD3-F5121-10	PLATE, BRAKE SHOE	1				
2	BD3-F5155-10	LEVER, CAMSHAFT 1	1				
3	BD3-F5151-00	CAMSHAFT	1				
4	BD3-F510L-10	BRAKE SHOE COMP.	1				
5	BD3-F5143-10	SPRING, RETURN	1				
6	BD3-F2241-10	BOLT 1	1				
7	BD3-F5169-10	PLATE, BRAKE SHOE 2	1				
8	BD3-F5156-10	LEVER, CAMSHAFT 2	1				
9	BD3-F5151-00	CAMSHAFT	1				
10	BD3-F510L-10	BRAKE SHOE COMP.	1				
11	BD3-F5143-10	SPRING, RETURN	1				
12	BD3-F2241-10	BOLT 1	1				
13	BD3-F6350-10	CABLE, BRAKE	2				



BD34110-S280

FIG. 28 REAR BRAKE

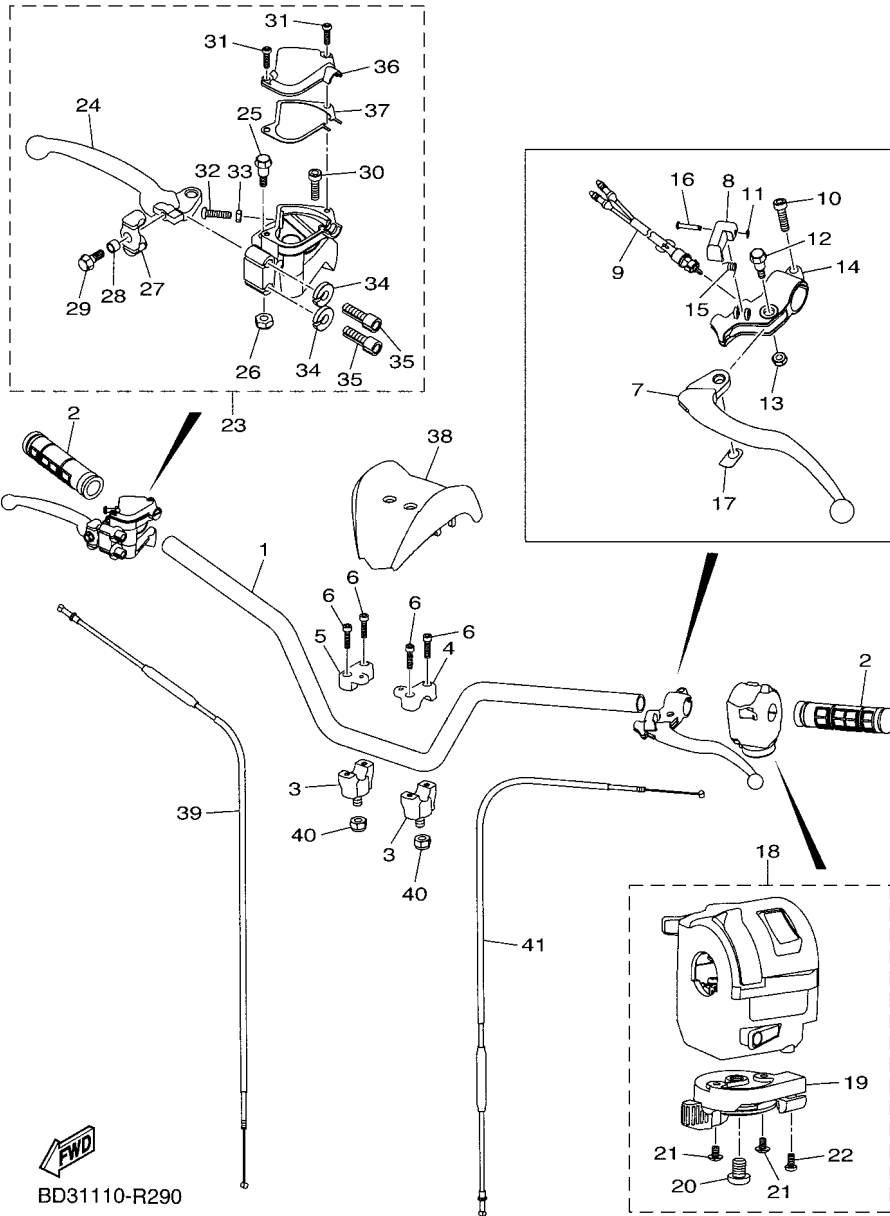
REF. NO.	PART NO.	DESCRIPTION	USA				REMARKS
1	BD3-F5311-00	HUB, REAR	1				
2	BD3-F5317-10	SPACER, BEARING	1				
3	BD3-F53N4-00	BEARING	2				
4	BD3-F537Y-00	SEAL, DUST	1				
5	BD3-F5321-00	PLATE, BRAKE SHOE	1				
6	BD3-F7217-10	BOLT	2				
7	BD3-F518E-10	SHAFT	1				
8	BD3-F2143-10	NUT	1				
9	BD3-F5319-00	SEAL, HUB DUST	1				
10	BD3-F5351-00	CAMSHAFT	1				
11	BD3-F5355-10	LEVER, CAMSHAFT	1				
12	BD3-F3767-10	BOLT	1				
13	BD3-F530K-00	BRAKE SHOE SET	1				
14	BD3-F6304-10	SPRING	1				
15	BD3-F6343-10	NUT, ADJUSTING	1				
16	BD3-F6341-10	WIRE, BRAKE 1	1				
17	BD3-F7438-10	PIN, CLEVIS	1				
18	BD3-F3458-10	WASHER	2				
19	BD3-F531E-00	DRUM, BRAKE	1				
20	BD3-F5336-00	RING 2	1				
21	BD3-F4477-10	NUT	2				
22	BD3-F8374-10	BOLT, COWLING	2				
23	BD3-F5333-10	SPRING, RETURN	1				
24	BD3-F2312-00	CASE, CHAIN 2	1				
25	BD3-F7416-10	BOLT, FOOTREST	2				



BD31110-R290

FIG. 29 STEERING HANDLE & CABLE

REF. NO.	PART NO.	DESCRIPTION	USA				REMARKS
1	BD3-F6111-00	HANDLEBAR	1				
2	BD3-F6241-10	GRIP	2				
3	BD3-F3442-00	HOLDER, HANDLE LOWER	2				
4	BD3-F3441-00	HOLDER, HANDLE UPPER	1				
5	BD3-F344A-00	HOLDER, HANDLE UPPER 1	1				
6	BD3-F7434-10	BOLT	4				
7	BD3-H3912-00	LEVER 1	1				
8	BD3-H3965-00	LEVER, LOCK	1				
9	BD3-H2550-00	ENGINE STOP SWITCH ASSY	1				
10	BD3-F3471-00	BOLT	1				
11	BD3-F6466-00	RING, SNAP	1				
12	BD3-F2277-00	BOLT	1				
13	BD3-F3833-00	NUT 1	1				
14	BD3-H2911-00	HOLDER, LEVER 1	1				
15	BD3-H3966-00	SPRING, RETURN	1				
16	BD3-H3967-00	PIN, LOCK 1	1				
17	BD3-F3444-00	WASHER	1				
18	BD3-H3975-00	SWITCH, HANDLE 2	1				
19	BD3-H3941-00	.LEVER, STARTER	1				
20	BD3-F3753-00	.BOLT	1				
21	BD3-F1531-00	.BOLT	2				
22	BD3-F1532-00	.BOLT 2	1				
23	BD3-F6250-00	THROTTLE LEVER ASSY	1				
24	BD3-H3922-00	.LEVER 2	1				
25	BD3-F1739-00	.BOLT	1				
26	BD3-F3833-00	.NUT 1	1				
27	BD3-F6347-00	.JOINT, CABLE	1				



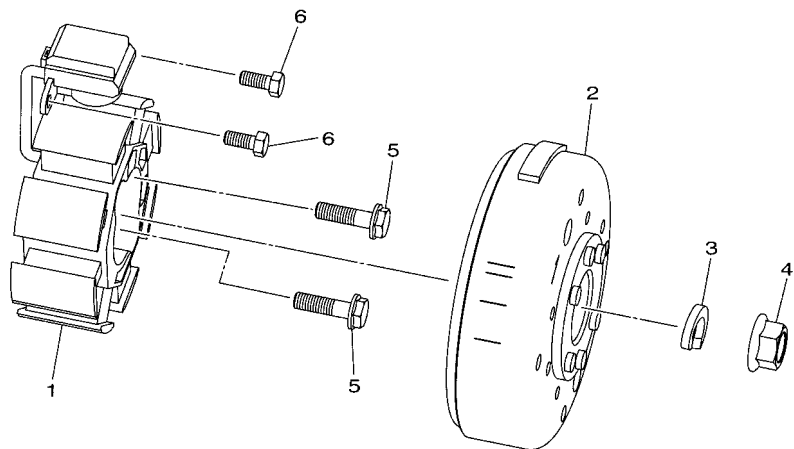
BD31110-R290

FIG. 29 STEERING HANDLE & CABLE

REF. NO.	PART NO.	DESCRIPTION	USA				REMARKS
28	BD3-F7213-00	.COLLAR	1				
29	BD3-F6382-00	.BOLT, AJUSTING	1				
30	BD3-F3471-00	.BOLT	1				
31	BD3-H1145-00	.SCREW 1	2				
32	BD3-F6337-00	.BOLT, ADJUSTING	1				
33	BD3-F3357-00	.NUT	1				
34	BD3-F1968-00	.NUT	2				
35	BD3-F3346-00	.BOLT 1	2				
36	BD3-F628F-00	.CAP, GEAR	1				
37	BD3-F628G-00	.GASKET	1				
38	BD3-F6124-00	PROTECTOR, HANDLEBAR	1				
39	BD3-F6311-10	CABLE, THROTTLE 1	1				
40	BD3-F2252-10	NUT	2				
41	BD3-F6331-10	CABLE, STARTER 1	1				

FIG. 32 GENERATOR

REF. NO.	PART NO.	DESCRIPTION	USA				REMARKS
1	BD3-H1410-00	STATOR ASSY	1				
2	BD3-H1450-00	ROTOR ASSY	1				
3	BD3-H1554-10	WASHER	1				
4	BD3-H1353-10	NUT	1				
5	BD3-E2157-10	BOLT	2				
6	BD3-H1352-10	BOLT	2				



BD31110-R320

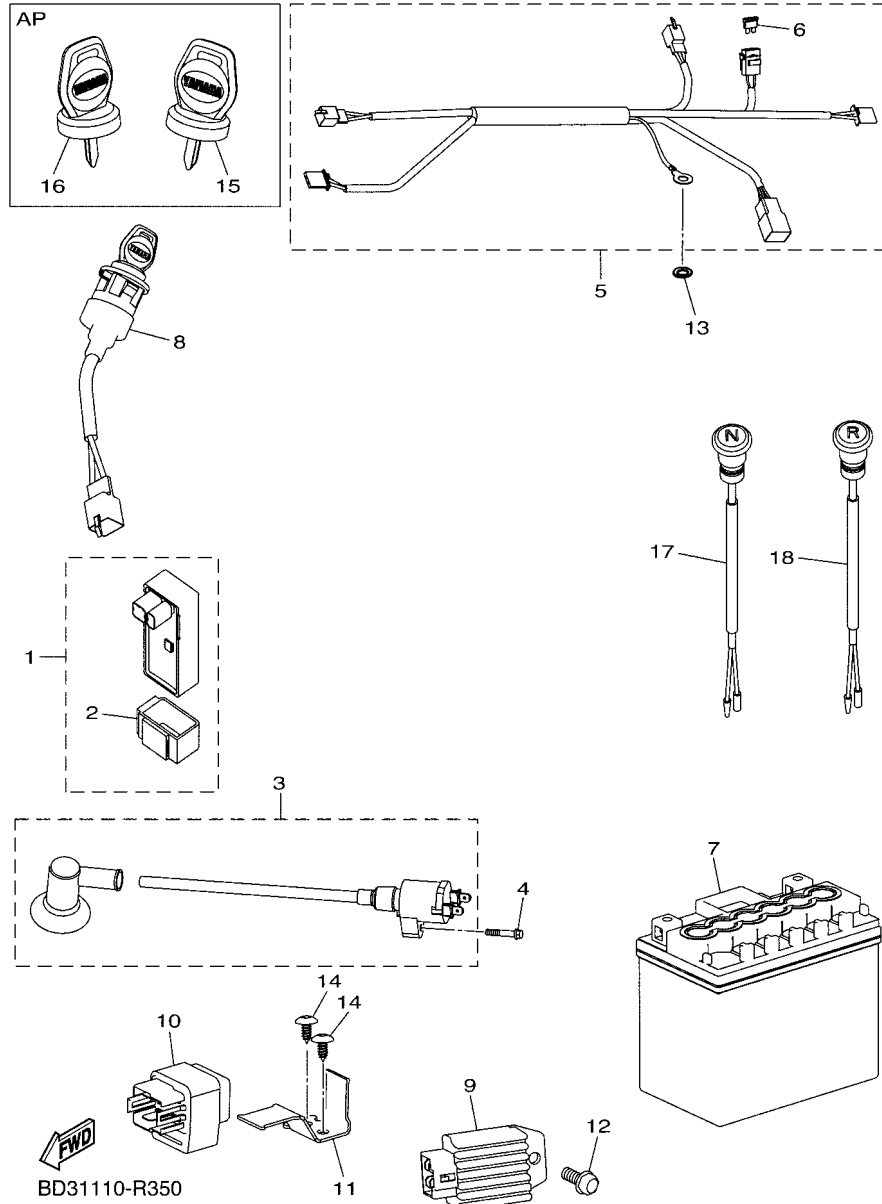
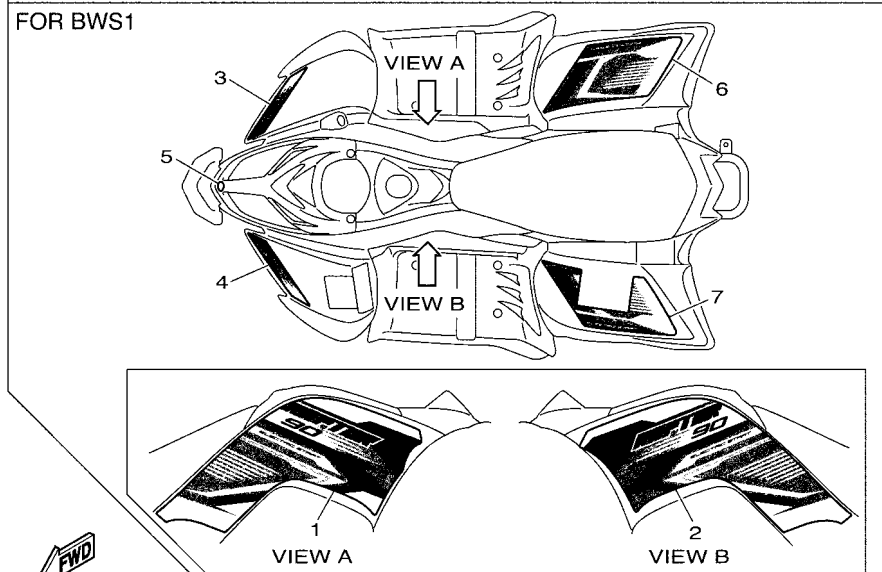
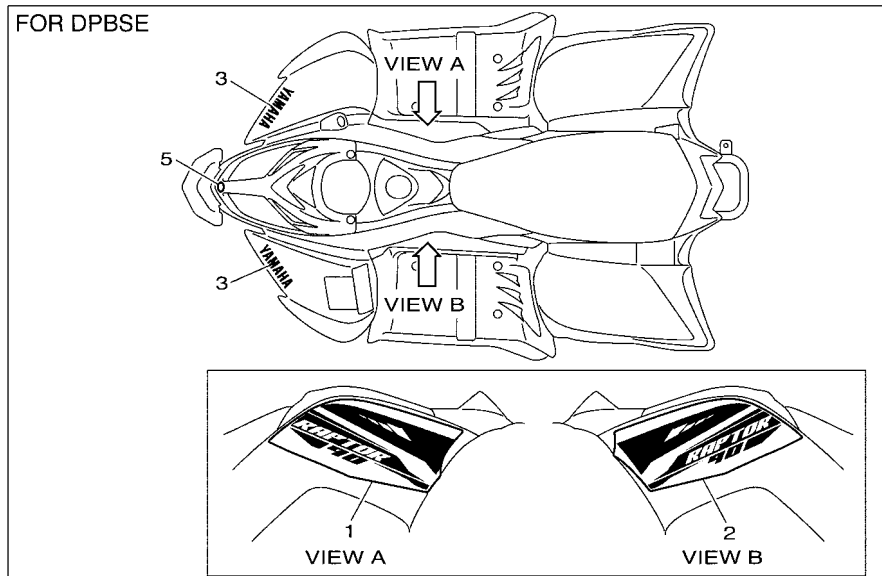


FIG. 35 ELECTRICAL 1

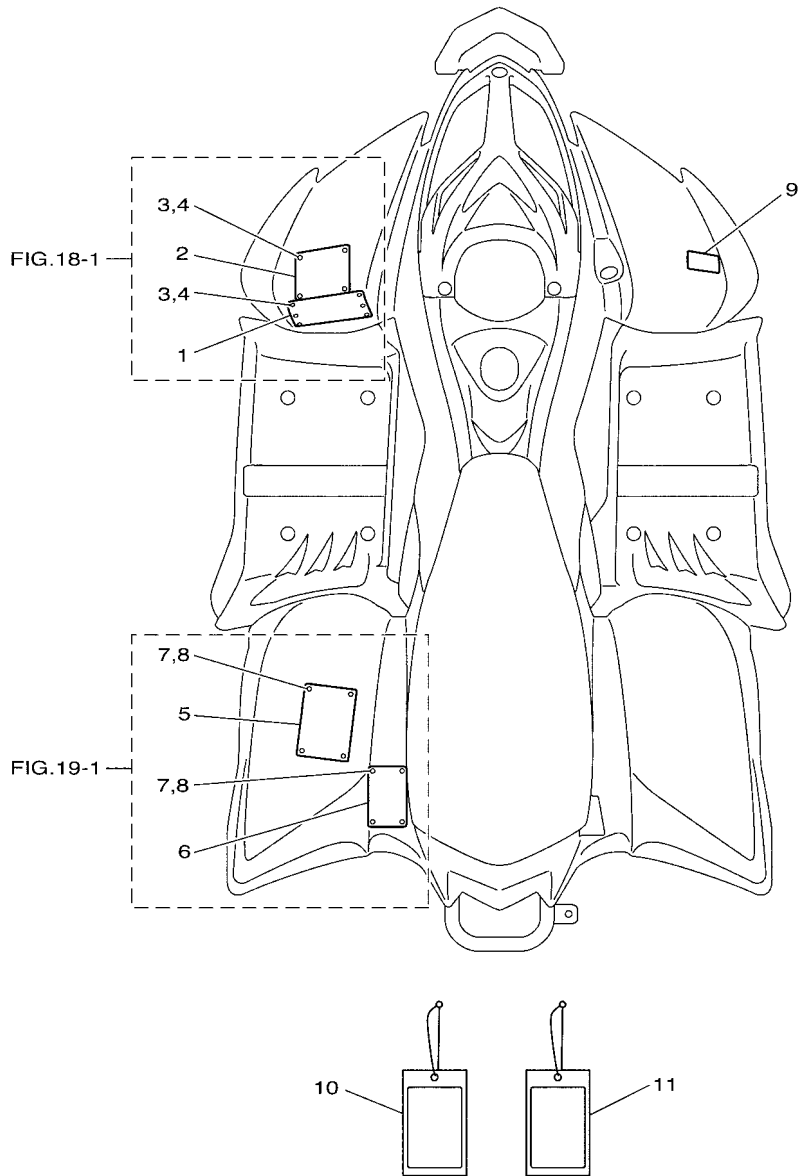
REF. NO.	PART NO.	DESCRIPTION	USA				REMARKS
1	BD3-H5504-00	C.D.I. UNIT ASSY	1				
2	BD3-H5546-00	.BAND	1				
3	BD3-H2320-00	IGNITION COIL ASSY	1				
4	BD3-F7435-10	BOLT	1				
5	BD3-H2590-00	WIRE HARNESS ASSY	1				
6	BD3-H2151-00	.FUSE	1				
7	BD3-H2100-00	BATTERY ASSY (GTX5L-BS)	1				
8	BD3-H2510-00	MAIN SWITCH ASSY	1				
9	BD3-H1960-00	RECTIFIER & REGULATOR ASSY	1				
10	BD3-H1940-00	STARTER RELAY ASSY	1				
11	BD3-H1948-00	BRACKET	1				
12	BD3-F8331-10	BOLT, LEG SHIELD	1				
13	BD3-F3456-10	WASHER	1				
14	BD3-F2969-10	SCREW, 1	2				
15	BD3-HA8L1-00	BLANK KEY 1	1				AP
16	BD3-HA8L2-00	BLANK KEY 2	1				AP
17	BD3-H3530-00	PILOT LIGHT ASSY	1				
18	BD3-H3530-10	PILOT LIGHT ASSY	1				

FIG. 37 GRAPHICS



BD34110-S370

REF. NO.	PART NO.	DESCRIPTION	USA	REMARKS
1	BD3-F137N-10	GRAPHIC 1	1	UR FOR DPBSE
	BD3-F159B-00	GRAPHIC SET 2	1	UR FOR BWS1
2	BD3-F137R-10	GRAPHIC 3	1	UR FOR DPBSE
	BD3-F159A-00	GRAPHIC SET 1	1	UR FOR BWS1
3	BD3-F153E-10	EMBLEM, YAMAHA	2	UR FOR DPBSE
	BD3-F15C9-00	GRAPHIC 6	1	UR FOR BWS1
4	BD3-F15B9-00	GRAPHIC 5	1	UR FOR BWS1
5	BD3-F175B-00	TUNING FORK MARK	1	
6	BD3-F167B-00	GRAPHIC SET 2	1	UR FOR BWS1
7	BD3-F167A-00	GRAPHIC SET	1	UR FOR BWS1



BD31110-R380

FIG. 38 EMBLEM & LABEL 1

REF. NO.	PART NO.	DESCRIPTION	USA				REMARKS
1	BD3-F1568-00	LABEL, WARNING	1				
2	BD3-F816L-00	LABEL, WARNING AGE	1				
3	BD3-F1128-00	RIVET	10				
4	BD3-F1615-10	WASHER, SPECIAL 1	10				
5	BD3-F816M-00	LABEL, WARNING TIRE & LOAD	1				
6	BD3-F151H-00	LABEL 5	1				
7	BD3-F1128-00	RIVET	8				
8	BD3-F1615-10	WASHER, SPECIAL 1	8				
9	BD3-F817J-30	PLATE, ANSI SVIA	1				
10	BD3-F818S-00	TAG, NER	1				
11	BD3-F819R-00	TAG, WARNING	1				

NUMERICAL INDEX

PART NO.	REF. NO.	PART NO.	REF. NO.	PART NO.	REF. NO.	PART NO.	REF. NO.	PART NO.	REF. NO.	PART NO.	REF. NO.
BD3-E1103-00	1 - 1	BD3-E2170-00	5 - 1	BD3-E4159-10	7 - 17	BD3-E4942-00	8 - 8	BD3-E5693-00	14 - 6	BD3-E8540-00	15 - 11
BD3-E1125-00	7 - 16	BD3-E2176-00	5 - 2	BD3-E415A-00	8 - 14	BD3-E5111-10	10 - 15	BD3-E5744-00	10 - 23	BD3-E8542-00	15 - 8
BD3-E1126-00	7 - 15	BD3-E2190-00	5 - 3	BD3-E415A-00	8 - 13	BD3-E5112-00	10 - 30	BD3-E5768-00	9 - 5	BD3-E8545-00	15 - 7
BD3-E112E-00	1 - 3	BD3-E2210-00	5 - 5	BD3-E4216-10	8 - 23	BD3-E5114-00	10 - 34	BD3-E5793-10	7 - 25	BD3-F1110-00	17 - 1
BD3-E1164-00	7 - 11	BD3-E2213-00	5 - 6	BD3-E4271-00	1 - 15	BD3-E511A-00	10 - 20	BD3-E6111-00	10 - 21	BD3-F1128-00	38 - 3
BD3-E1166-00	7 - 12	BD3-E2228-10	7 - 28	BD3-E4325-10	8 - 18	BD3-E511B-10	10 - 22	BD3-E6151-00	14 - 16		38 - 7
BD3-E1169-00	1 - 8	BD3-E2231-00	5 - 9	BD3-E4331-00	8 - 4	BD3-E511C-00	11 - 3	BD3-E6194-00	9 - 9	BD3-F112N-10	21 - 25
BD3-E1179-10	1 - 12	BD3-E2241-00	5 - 8	BD3-E4348-00	8 - 15	BD3-E5121-00	10 - 1	BD3-E6548-00	26 - 21		25 - 21
BD3-E1181-00	1 - 17	BD3-E2289-10	9 - 14	BD3-E4349-00	8 - 16	BD3-E5158-00	10 - 12	BD3-E6611-00	13 - 17		26 - 10
BD3-E1186-00	1 - 5	BD3-E2299-10	14 - 25	BD3-E4358-00	9 - 10	BD3-E5189-00	11 - 2	BD3-E6620-10	13 - 14	BD3-F113B-00	17 - 13
BD3-E1190-10	1 - 4	BD3-E22A1-10	5 - 10	BD3-E4384-00	8 - 20	BD3-E5314-00	10 - 2	BD3-E662A-00	12 - 5	BD3-F11C5-10	24 - 6
BD3-E1192-00	1 - 2	BD3-E2439-00	10 - 26	BD3-E4385-00	8 - 11	BD3-E5315-00	10 - 33		14 - 10	BD3-F11C8-00	18 - 8
BD3-E1193-00	1 - 6	BD3-E2456-10	12 - 4	BD3-E4386-00	8 - 9	BD3-E531A-00	14 - 30	BD3-E6777-10	9 - 12		19 - 4
BD3-E1194-00	1 - 7	BD3-E2467-00	18 - 11	BD3-E4392-00	8 - 10	BD3-E5327-10	10 - 29	BD3-E7051-00	15 - 1	BD3-F1244-10	36 - 2
BD3-E119A-00	1 - 13	BD3-E2491-10	7 - 6	BD3-E4397-00	8 - 12	BD3-E5328-00	10 - 16	BD3-E7058-00	15 - 3	BD3-F1293-10	25 - 20
BD3-E119B-00	1 - 9	BD3-E2615-10	1 - 10	BD3-E439D-10	8 - 2	BD3-E5351-00	10 - 3	BD3-E7156-00	13 - 2	BD3-F1338-00	17 - 11
	10 - 6	BD3-E261D-10	7 - 24	BD3-E439G-00	8 - 3	BD3-E5362-00	10 - 8	BD3-E7253-00	14 - 21	BD3-F135J-10	22 - 11
BD3-E1311-00	2 - 1	BD3-E2623-10	1 - 11	BD3-E439H-10	8 - 21	BD3-E5363-00	14 - 11	BD3-E7285-00	14 - 18	BD3-F1376-00	19 - 7
BD3-E1351-00	2 - 2		10 - 31	BD3-E4408-10	7 - 1	BD3-E5411-10	10 - 35	BD3-E7421-00	14 - 17	BD3-F137N-10	37 - 1
BD3-E1387-00	7 - 22	BD3-E2842-00	14 - 9	BD3-E4412-10	7 - 4	BD3-E5414-10	11 - 1	BD3-E7430-00	14 - 13	BD3-F137R-10	37 - 2
BD3-E1391-10	1 - 20	BD3-E2843-00	10 - 9	BD3-E4424-00	7 - 5	BD3-E5418-00	14 - 27	BD3-E7446-10	14 - 24	BD3-F146E-10	16 - 9
BD3-E1400-00	3 - 1	BD3-E3016-00	12 - 8	BD3-E4429-10	14 - 28	BD3-E5420-10	14 - 1	BD3-E7451-00	14 - 23		21 - 7
BD3-E1428-00	10 - 18	BD3-E3274-10	7 - 30	BD3-E4439-10	1 - 24	BD3-E5451-00	10 - 36	BD3-E7479-00	15 - 2	BD3-F1494-10	1 - 22
BD3-E1429-00	10 - 19	BD3-E3300-00	6 - 1	BD3-E443B-00	8 - 24	BD3-E5461-00	14 - 2	BD3-E7496-00	16 - 4		9 - 13
	14 - 4	BD3-E3318-00	1 - 25	BD3-E443E-00	7 - 8	BD3-E5462-00	11 - 4	BD3-E7498-00	14 - 26	BD3-F1500-00	18 - 1
BD3-E1458-10	5 - 4	BD3-E3365-10	6 - 2	BD3-E4446-10	7 - 10	BD3-E5471-00	7 - 20	BD3-E7520-00	14 - 22	BD3-F1513-00	17 - 7
BD3-E1478-00	14 - 14	BD3-E3411-00	10 - 4	BD3-E4451-00	7 - 3	BD3-E5472-00	7 - 26	BD3-E7611-00	13 - 12	BD3-F151H-00	38 - 6
BD3-E1545-00	3 - 2	BD3-E3469-00	10 - 5	BD3-E4457-00	7 - 9	BD3-E5473-00	7 - 21	BD3-E7621-00	13 - 7	BD3-F1531-00	29 - 21
BD3-E1620-00	3 - 3	BD3-E3516-00	1 - 18	BD3-E4458-00	7 - 31	BD3-E5512-00	12 - 10	BD3-E7623-00	13 - 9	BD3-F1532-00	29 - 22
BD3-E1631-00	3 - 4		2 - 4	BD3-E4472-00	7 - 2	BD3-E551A-00	14 - 19	BD3-E7625-00	13 - 10	BD3-F1535-10	20 - 7
BD3-E1633-00	3 - 5		10 - 7	BD3-E4495-00	7 - 32	BD3-E5521-00	10 - 39	BD3-E7632-00	13 - 8	BD3-F1536-10	20 - 13
BD3-E1634-00	3 - 6		10 - 38	BD3-E449C-10	8 - 22		12 - 11	BD3-E7637-00	13 - 11	BD3-F153E-10	37 - 3
BD3-E2111-00	4 - 2		11 - 8	BD3-E4521-00	8 - 19	BD3-E5524-10	12 - 14	BD3-E7641-00	13 - 18	BD3-F1556-00	18 - 6
BD3-E2113-00	4 - 5	BD3-E3556-00	1 - 16	BD3-E4561-00	14 - 12	BD3-E5532-00	12 - 12	BD3-E7646-00	13 - 13	BD3-F1556-10	18 - 6
BD3-E2114-00	4 - 6	BD3-E3573-10	5 - 7	BD3-E4581-10	8 - 17	BD3-E5570-00	12 - 15	BD3-E7647-10	7 - 29	BD3-F1566-00	23 - 6
BD3-E2116-00	4 - 4	BD3-E3574-00	9 - 7	BD3-E4594-10	13 - 1	BD3-E5597-00	12 - 7	BD3-E765G-10	15 - 4	BD3-F1568-00	38 - 1
BD3-E2117-00	4 - 7	BD3-E3577-10	7 - 7	BD3-E4595-10	13 - 16	BD3-E5600-10	12 - 1	BD3-E7678-00	14 - 7	BD3-F159A-00	37 - 2
BD3-E2118-00	4 - 8		7 - 13	BD3-E4611-00	9 - 2	BD3-E5613-10	12 - 16	BD3-E7683-00	13 - 15	BD3-F159B-00	37 - 1
BD3-E2119-00	4 - 3	BD3-E3578-00	14 - 15	BD3-E4613-00	9 - 1	BD3-E5615-10	12 - 17	BD3-E76F3-00	13 - 19	BD3-F15A3-00	17 - 12
BD3-E2121-00	4 - 1	BD3-E3586-00	1 - 14	BD3-E4628-00	9 - 8		16 - 7	BD3-E8103-10	15 - 5	BD3-F15B9-00	37 - 4
BD3-E2146-00	4 - 10	BD3-E3731-00	8 - 5	BD3-E4711-00	9 - 3	BD3-E5620-00	12 - 6	BD3-E8125-10	16 - 10	BD3-F15C9-00	37 - 3
BD3-E2151-00	4 - 9	BD3-E3769-00	13 - 3	BD3-E4714-00	9 - 4	BD3-E5657-00	13 - 4	BD3-E8172-00	16 - 5	BD3-F1600-30	19 - 1
BD3-E2157-10	1 - 19	BD3-E3995-00	14 - 20	BD3-E4777-10	7 - 19	BD3-E5665-00	12 - 2	BD3-E8174-00	16 - 3	BD3-F1600-60	19 - 1
	1 - 21	BD3-E4005-00	14 - 8	BD3-E4780-00	9 - 6	BD3-E5670-00	12 - 9	BD3-E8179-00	16 - 6	BD3-F1613-00	19 - 9
	2 - 3	BD3-E4101-10	8 - 1	BD3-E4814-00	14 - 5	BD3-E5677-00	12 - 3	BD3-E8190-00	16 - 2	BD3-F1615-10	38 - 4
	32 - 5	BD3-E4137-10	7 - 14	BD3-E4844-00	10 - 11	BD3-E5681-00	12 - 18	BD3-E8196-00	16 - 8		38 - 8
BD3-E2158-00	4 - 12	BD3-E414G-00	8 - 7	BD3-E4849-00	7 - 27	BD3-E5689-00	2 - 5	BD3-E8511-00	15 - 9	BD3-F1631-10	34 - 7
BD3-E2159-00	4 - 11	BD3-E4150-00	8 - 6	BD3-E4919-10	7 - 18		14 - 29	BD3-E8531-00	15 - 10	BD3-F1632-10	18 - 13

NUMERICAL INDEX

PART NO.	REF. NO.	PART NO.	REF. NO.	PART NO.	REF. NO.	PART NO.	REF. NO.	PART NO.	REF. NO.	PART NO.	REF. NO.
BD3-F1632-10	19 - 8	BD3-F2312-00	28 - 24	BD3-F3841-10	21 - 15	BD3-F510S-00	25 - 3	BD3-F5438-00	26 - 16	BD3-G3886-10	10 - 24
	30 - 1	BD3-F2361-00	20 - 10	BD3-F3844-00	21 - 29	BD3-F5111-10	25 - 5	BD3-F6111-00	29 - 1	BD3-G4581-10	10 - 27
BD3-F1635-10	9 - 15	BD3-F2969-10	18 - 14	BD3-F3844-00	21 - 11		25 - 11	BD3-F6124-00	29 - 38	BD3-G5154-10	10 - 28
BD3-F1636-10	26 - 14		35 - 14		21 - 16	BD3-F5117-10	25 - 7	BD3-F6241-10	29 - 2	BD3-G5241-10	10 - 32
BD3-F1639-00	19 - 11	BD3-F3165-00	21 - 23	BD3-F384N-00	21 - 2		25 - 13	BD3-F6250-00	29 - 23	BD3-G6249-10	11 - 5
BD3-F1646-00	17 - 2	BD3-F318J-10	23 - 3	BD3-F3856-10	21 - 6	BD3-F511B-00	25 - 6	BD3-F628F-00	29 - 36	BD3-G7542-10	11 - 6
BD3-F1647-00	17 - 10	BD3-F3346-00	29 - 35	BD3-F3868-00	21 - 30		25 - 12	BD3-F628G-00	29 - 37	BD3-G7553-10	11 - 7
BD3-F1649-00	19 - 12	BD3-F3350-10	22 - 3	BD3-F3872-00	21 - 9	BD3-F5121-10	27 - 1	BD3-F6304-10	28 - 14	BD3-G8171-10	16 - 11
BD3-F167A-00	37 - 7	BD3-F3356-10	18 - 15	BD3-F3876-10	9 - 11	BD3-F512A-00	25 - 22	BD3-F6311-10	29 - 39	BD3-H1145-00	29 - 31
BD3-F167B-00	37 - 6	BD3-F3357-00	29 - 33		20 - 11		26 - 11	BD3-F6331-10	29 - 41	BD3-H1152-10	33 - 3
BD3-F1711-00	18 - 4	BD3-F3364-00	22 - 7	BD3-F3877-10	21 - 8	BD3-F5143-10	27 - 5	BD3-F6332-10	17 - 3	BD3-H1168-00	33 - 2
BD3-F1719-00	17 - 9	BD3-F3427-00	13 - 5	BD3-F3882-10	21 - 22		27 - 11	BD3-F6337-00	29 - 32	BD3-H1352-10	32 - 6
BD3-F171A-00	18 - 5		21 - 5	BD3-F4110-00	23 - 1	BD3-F5151-00	27 - 3	BD3-F6341-10	28 - 16	BD3-H1353-10	32 - 4
BD3-F171A-10	18 - 5	BD3-F3441-00	29 - 4	BD3-F411M-10	23 - 14		27 - 9	BD3-F6343-10	28 - 15	BD3-H1410-00	32 - 1
BD3-F1721-00	18 - 3	BD3-F3442-00	29 - 3	BD3-F412G-10	23 - 10	BD3-F5155-10	27 - 2	BD3-F6347-00	29 - 27	BD3-H1450-00	32 - 2
BD3-F1722-10	20 - 6	BD3-F3444-00	29 - 17	BD3-F4148-10	18 - 10	BD3-F5156-10	27 - 8	BD3-F6350-10	27 - 13	BD3-H1452-10	16 - 12
BD3-F1728-00	18 - 7	BD3-F3447-10	23 - 4		19 - 6	BD3-F5169-10	27 - 7	BD3-F6382-00	29 - 29	BD3-H1552-10	16 - 12
BD3-F1738-00	18 - 2	BD3-F344A-00	29 - 5	BD3-F4149-10	18 - 12	BD3-F5170-00	25 - 2	BD3-F639L-00	22 - 12	BD3-H1554-10	32 - 3
BD3-F1739-00	29 - 25	BD3-F3456-10	35 - 13	BD3-F4176-10	17 - 8		25 - 4	BD3-F639M-00	22 - 13	BD3-H1800-10	33 - 1
BD3-F175B-00	37 - 5	BD3-F3457-00	25 - 23		19 - 10		26 - 2	BD3-F6466-00	29 - 11	BD3-H1826-10	10 - 10
BD3-F1791-10	21 - 12	BD3-F3458-10	28 - 18	BD3-F4177-10	21 - 26		26 - 4	BD3-F7114-00	24 - 7	BD3-H1940-00	35 - 10
	21 - 17	BD3-F3459-10	26 - 18	BD3-F4178-10	17 - 4	BD3-F5180-00	25 - 17	BD3-F7117-10	22 - 9	BD3-H1948-00	35 - 11
BD3-F1829-10	21 - 13	BD3-F3471-00	29 - 10	BD3-F4181-00	23 - 7		26 - 5	BD3-F7213-00	29 - 28	BD3-H1960-00	35 - 9
	21 - 18		29 - 30	BD3-F4339-00	23 - 9	BD3-F518E-10	28 - 7	BD3-F7217-10	28 - 6	BD3-H2100-00	35 - 7
BD3-F1839-10	17 - 5	BD3-F3492-10	23 - 8	BD3-F4366-00	23 - 12	BD3-F51H1-10	25 - 9	BD3-F7416-10	7 - 23	BD3-H2122-00	19 - 2
BD3-F1968-00	29 - 34	BD3-F3511-00	21 - 20	BD3-F4374-10	21 - 28		25 - 15		28 - 25	BD3-H2131-00	19 - 3
BD3-F2110-00	20 - 1	BD3-F3517-00	22 - 8	BD3-F4398-00	24 - 8	BD3-F51H2-10	25 - 10	BD3-F7434-10	29 - 6	BD3-H2151-00	35 - 6
BD3-F2123-00	20 - 2	BD3-F3521-00	21 - 21	BD3-F4477-10	28 - 21		25 - 16	BD3-F7435-10	35 - 4	BD3-H2320-00	35 - 3
BD3-F2125-10	31 - 2	BD3-F3526-00	22 - 6	BD3-F4500-00	23 - 5	BD3-F530K-00	28 - 13	BD3-F7438-10	28 - 17	BD3-H2510-00	35 - 8
BD3-F2126-00	20 - 4	BD3-F3527-00	22 - 15	BD3-F4531-10	21 - 24	BD3-F5311-00	28 - 1	BD3-F7453-00	30 - 3	BD3-H2540-00	10 - 25
BD3-F2128-00	20 - 3	BD3-F3570-00	22 - 5	BD3-F4560-10	23 - 11	BD3-F5317-10	28 - 2	BD3-F7463-00	30 - 2	BD3-H2550-00	29 - 9
BD3-F2129-00	22 - 14	BD3-F3580-00	22 - 4	BD3-F4592-10	25 - 18	BD3-F5319-00	28 - 9	BD3-F8100-10	17 - 14	BD3-H2590-00	35 - 5
BD3-F2143-10	28 - 8	BD3-F3737-00	26 - 15		26 - 7	BD3-F531E-00	28 - 19	BD3-F811A-10	17 - 15	BD3-H2911-00	29 - 14
BD3-F2149-10	18 - 9	BD3-F3753-00	29 - 20	BD3-F4610-10	23 - 2	BD3-F5321-00	28 - 5	BD3-F816L-00	38 - 2	BD3-H3530-00	35 - 17
	19 - 5	BD3-F3767-10	28 - 12	BD3-F4648-00	24 - 9	BD3-F5333-10	28 - 23	BD3-F816M-00	38 - 5	BD3-H3530-10	35 - 18
BD3-F2151-00	20 - 5	BD3-F3769-10	20 - 14	BD3-F4710-10	24 - 1	BD3-F5336-00	28 - 20	BD3-F817J-30	38 - 9	BD3-H3912-00	29 - 7
BD3-F2156-10	26 - 19	BD3-F3778-10	17 - 6	BD3-F4758-10	24 - 4	BD3-F5351-00	28 - 10	BD3-F818S-00	38 - 10	BD3-H3922-00	29 - 24
BD3-F2159-00	26 - 12	BD3-F3812-00	21 - 4	BD3-F4760-10	24 - 2	BD3-F5355-10	28 - 11	BD3-F819R-00	38 - 11	BD3-H3941-00	29 - 19
BD3-F2169-00	20 - 15	BD3-F3813-00	21 - 1	BD3-F476M-00	24 - 3	BD3-F5377-10	26 - 6	BD3-F8331-10	35 - 12	BD3-H3965-00	29 - 8
BD3-F2183-10	20 - 16	BD3-F3818-00	21 - 3	BD3-F4775-10	24 - 5	BD3-F537Y-00	28 - 4	BD3-F8374-10	28 - 22	BD3-H3966-00	29 - 15
BD3-F2210-00	20 - 8	BD3-F3831-10	21 - 14	BD3-F4834-10	20 - 9	BD3-F5381-10	26 - 13	BD3-F845N-00	31 - 1	BD3-H3967-00	29 - 16
BD3-F2241-10	27 - 6		21 - 19		22 - 1	BD3-F5382-10	26 - 9	BD3-G1148-10	10 - 37	BD3-H3975-00	29 - 18
	27 - 12	BD3-F3833-00	29 - 13	BD3-F4864-00	23 - 13	BD3-F5386-00	26 - 17		14 - 3	BD3-H411B-00	34 - 6
BD3-F2243-10	26 - 8		29 - 26	BD3-F5105-10	25 - 8	BD3-F5388-10	20 - 12	BD3-G1228-10	12 - 13	BD3-H4121-00	34 - 2
BD3-F2245-10	25 - 19	BD3-F3834-10	13 - 6		25 - 14	BD3-F53C0-00	26 - 20	BD3-G2544-10	10 - 13	BD3-H4160-00	34 - 1
BD3-F2246-00	21 - 27		22 - 2	BD3-F510L-10	27 - 4	BD3-F53N4-00	28 - 3	BD3-G2742-10	10 - 14	BD3-H4191-00	34 - 3
BD3-F2252-10	29 - 40		22 - 10		27 - 10	BD3-F53P3-00	26 - 1	BD3-G3143-10	10 - 17	BD3-H4300-00	34 - 4
BD3-F2277-00	29 - 12	BD3-F3841-10	21 - 10	BD3-F510S-00	25 - 1		26 - 3	BD3-G3882-00	16 - 1	BD3-H4733-00	34 - 5

NUMERICAL INDEX

PART NO.	REF. NO.	PART NO.	REF. NO.	PART NO.	REF. NO.	PART NO.	REF. NO.	PART NO.	REF. NO.	PART NO.	REF. NO.
BD3-H5130-00	36 - 1										
BD3-H5504-00	35 - 1										
BD3-H5546-00	35 - 2										
BD3-HA8L1-00	35 - 15										
BD3-HA8L2-00	35 - 16										
BD3-HA906-00	15 - 6										
94701-00372	1 - 23										